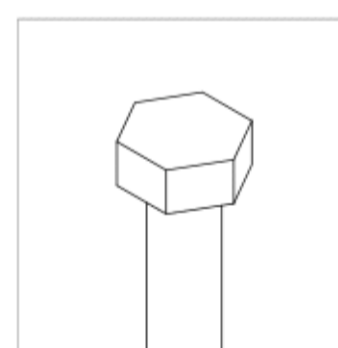
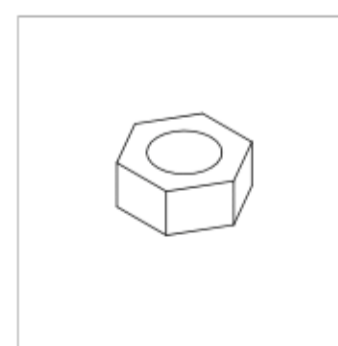


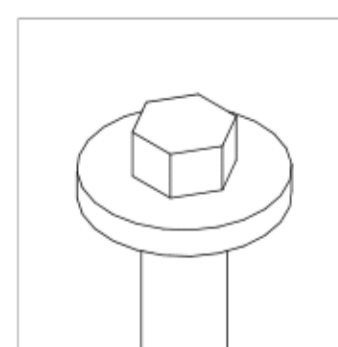
- 1 Metal plate 1, 4 pc
- 2 Metal plate 2, 4 pc
- 3 Metal plate 3, 8 pc
- 4 Metal plate 4, 8 pc
- 5 Screw pile 1 m, with platform **150x150 mm**, 4 pc
with a T-shaped column mount **150x150x150 mm**, 24 pc
- 6 Perforated corner **40x40x100 mm**, 172 pc
- 7 T-shaped beam mount **100x80x150 mm**, 24 pc
- 8 Closed-type internal beam mount **140x100 mm**, 4 pc
- 9 Beam **150x150x5000 mm**, 6 pc
- 10 Beam **150x100x6000 mm**, 21 pc
Beam **150x100x4500 mm**, 2 pc
- 11 Board **150x50x6000 mm**, 16 pc
- 12 Board **150x25x6000 mm**, 37 pc
- 13 Beam **50x50x6000 mm**, 18 pc
- 14 Metal corner **6000 mm**, 1 pc
- 15 Corrugated polycarbonate sheet **2230x6000 mm**, 2 pc
- 16 Galvanized corrugated roofing sheet **4400 mm**, 6 pc



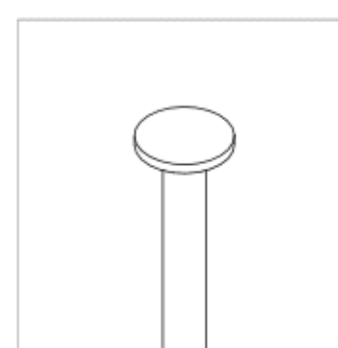
Hex head bolt M8
160 mm, 48 pc
150 mm, 48 pc
100 mm, 336 pc



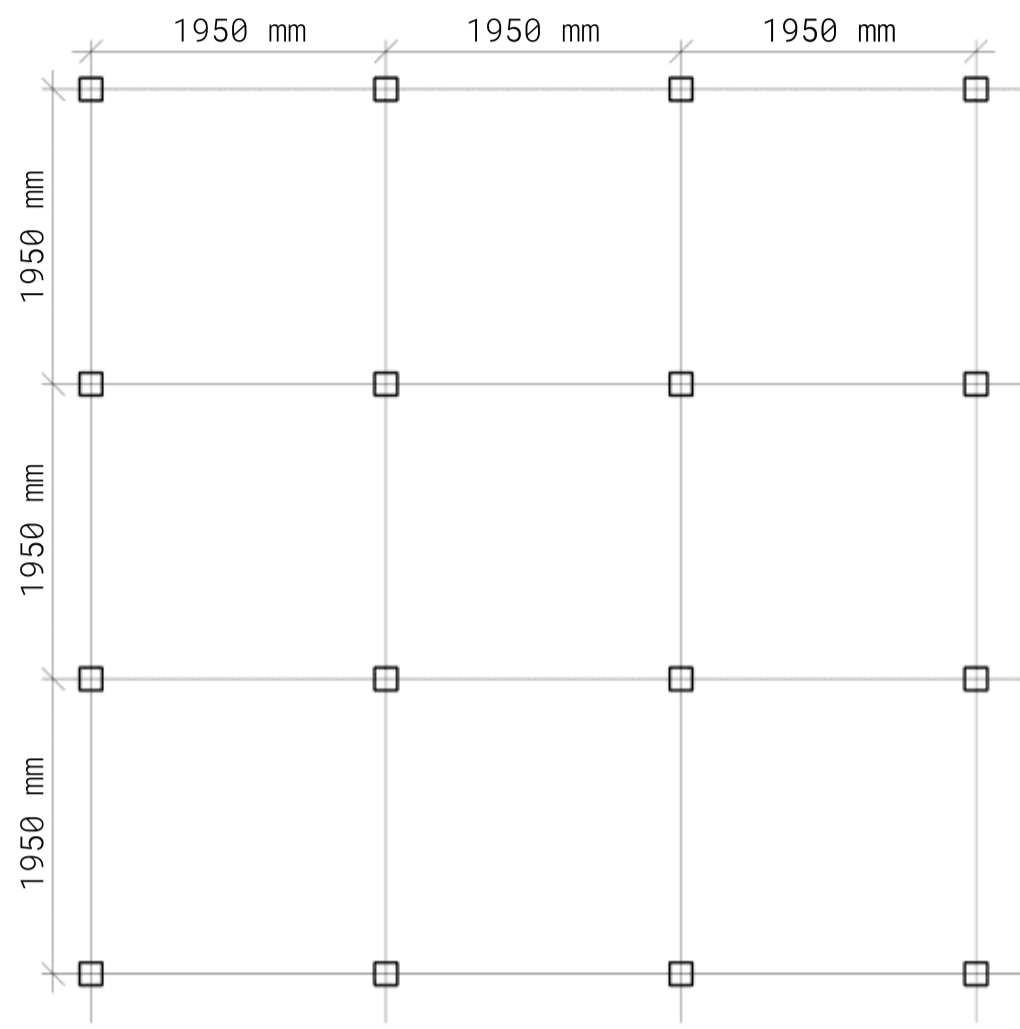
Hex nut M8
 432 pc



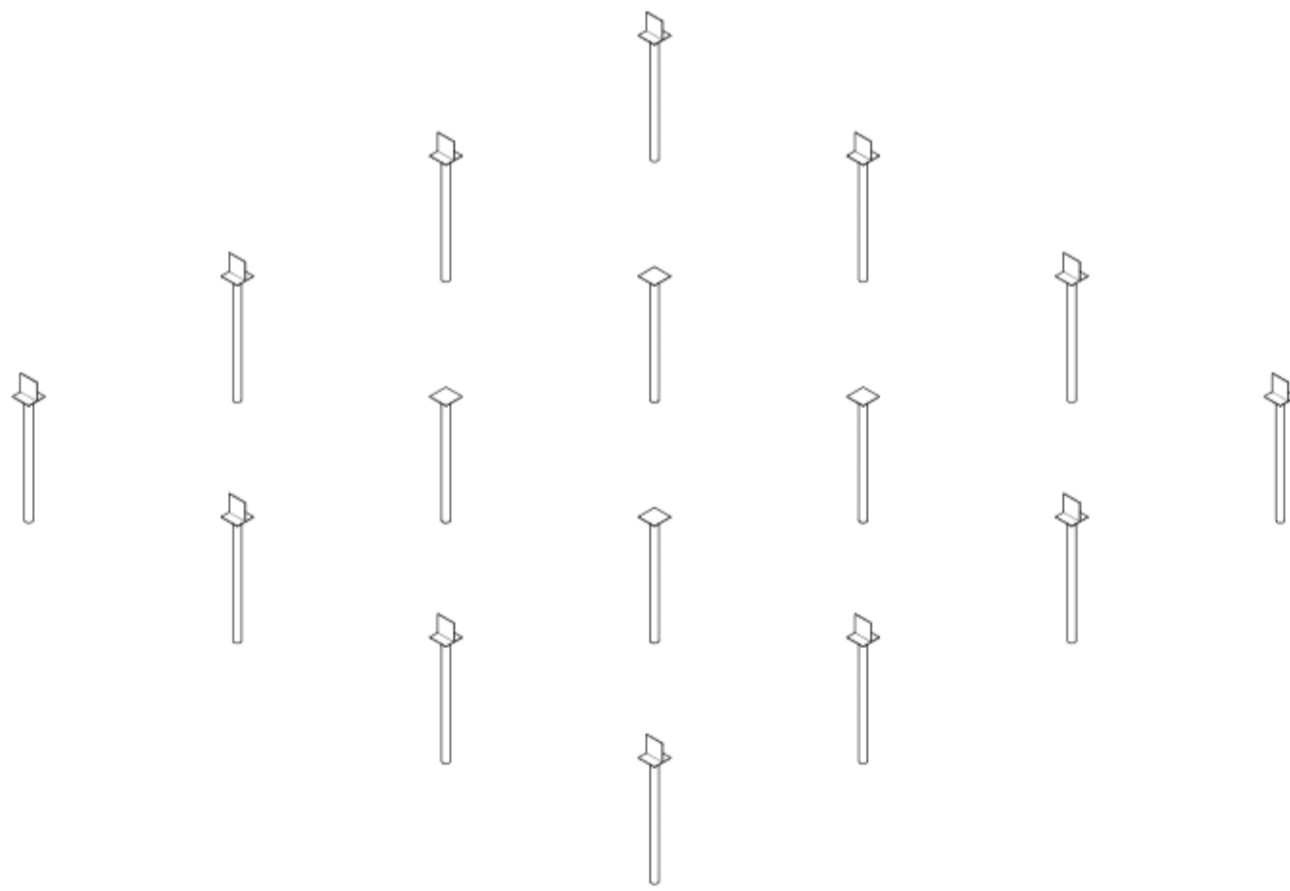
Roofing screw
 528 pc

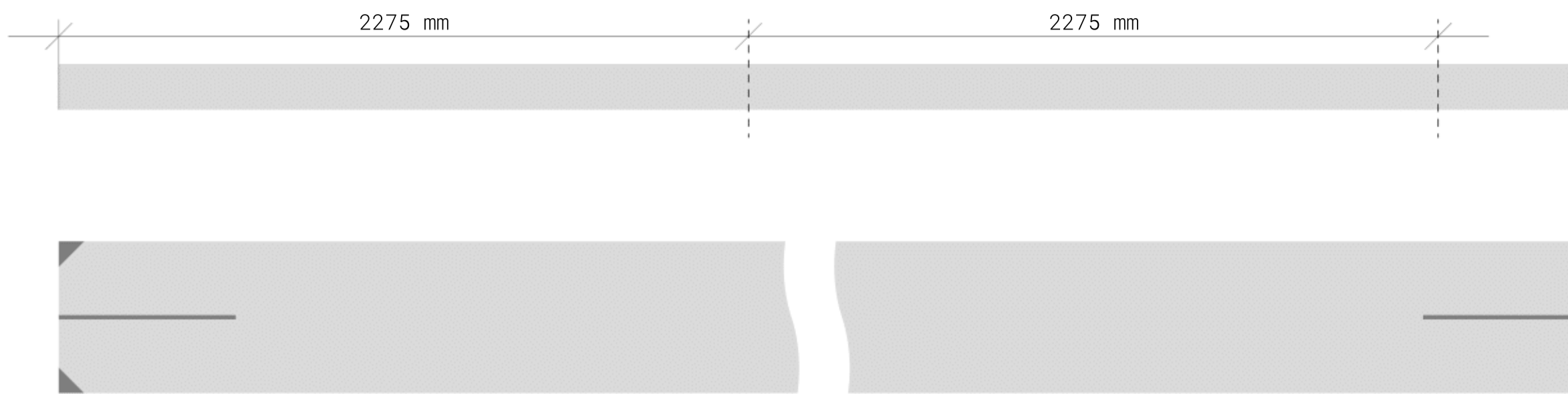


Steel nail
100 mm, 100 pc
50 mm, 2000 pc



#5

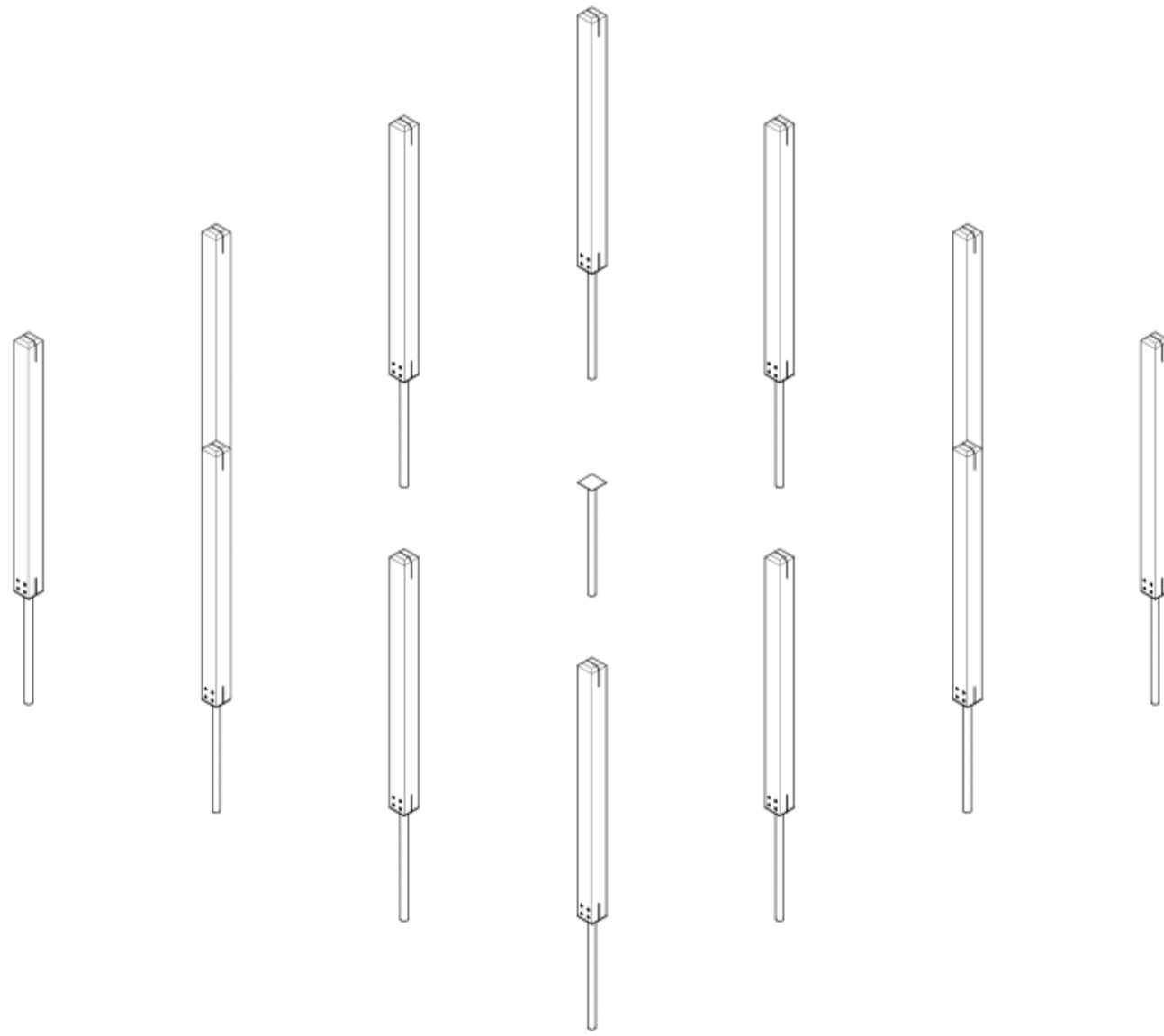
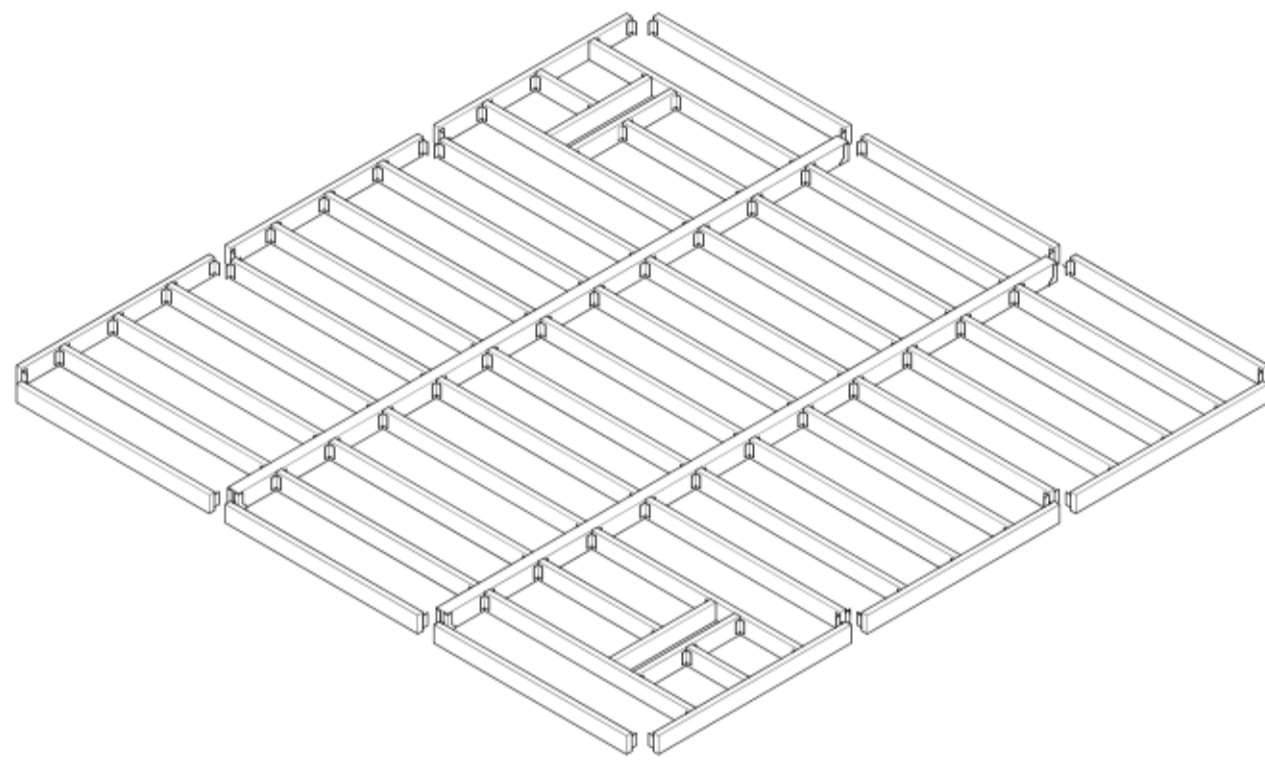




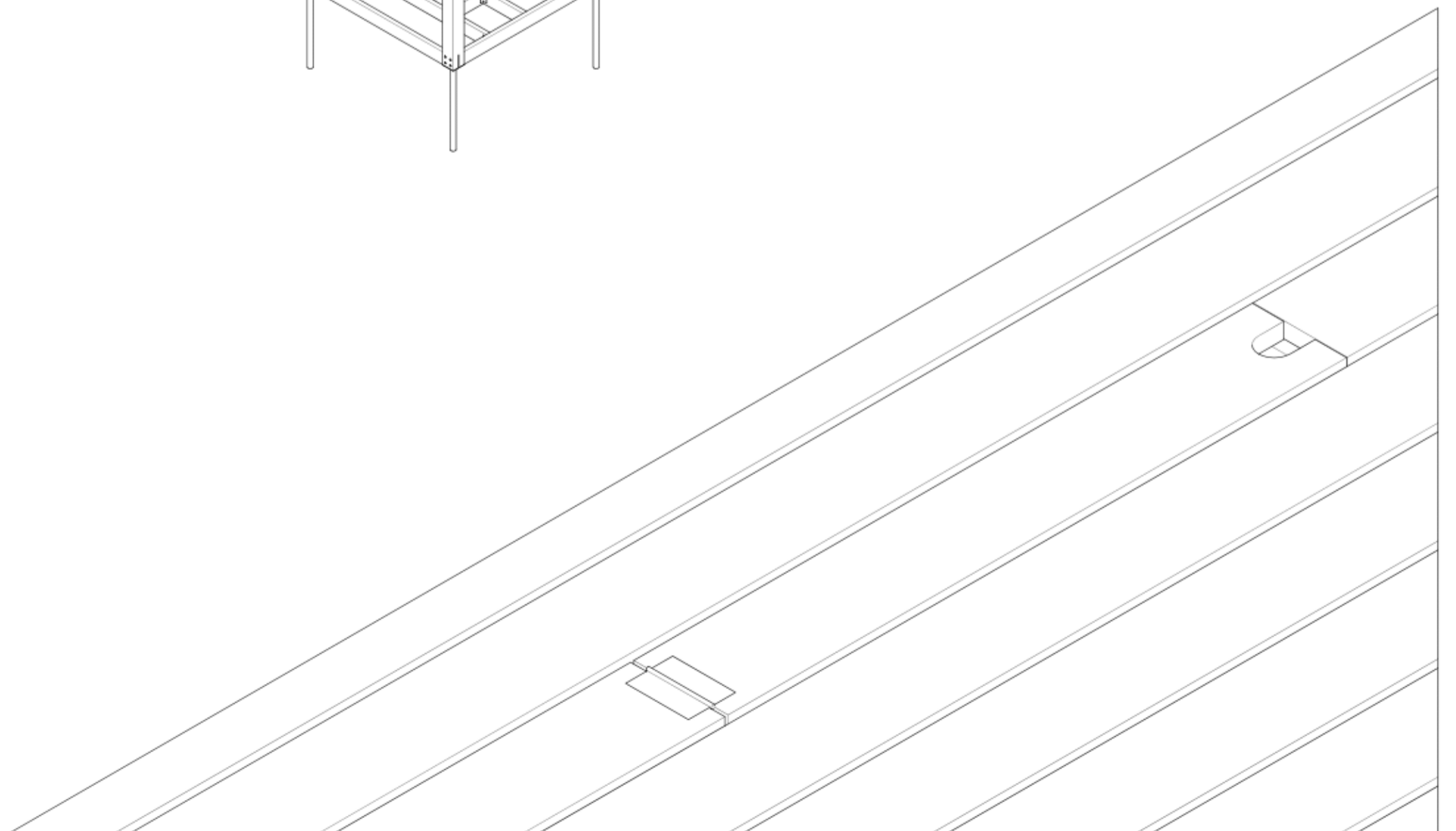
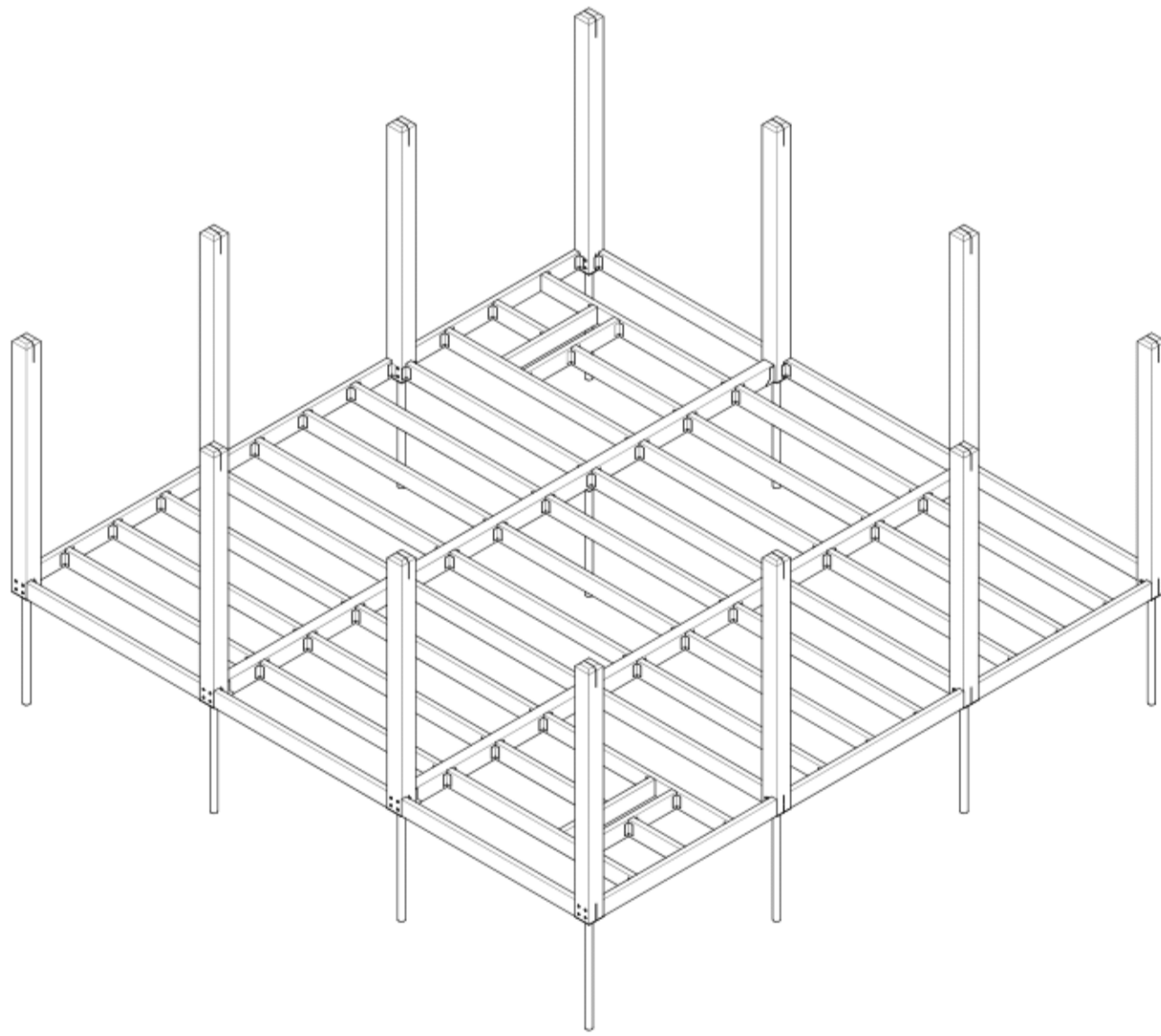
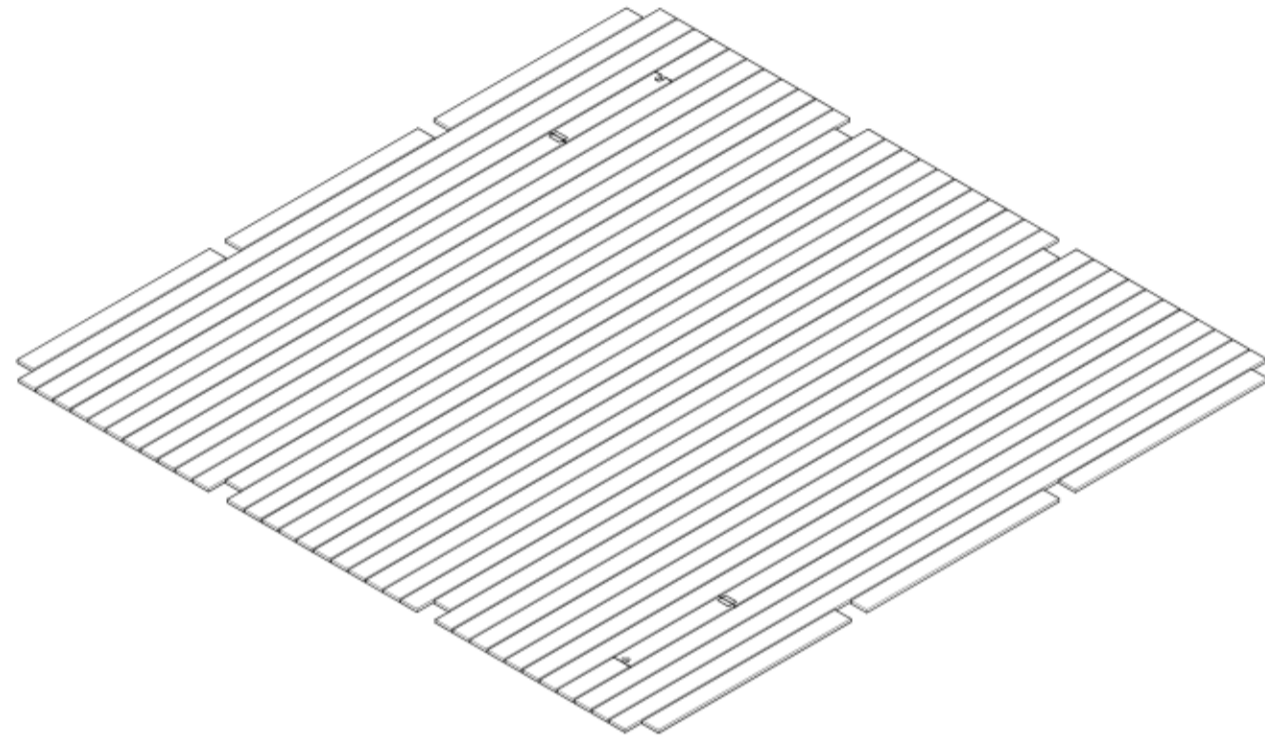
#9



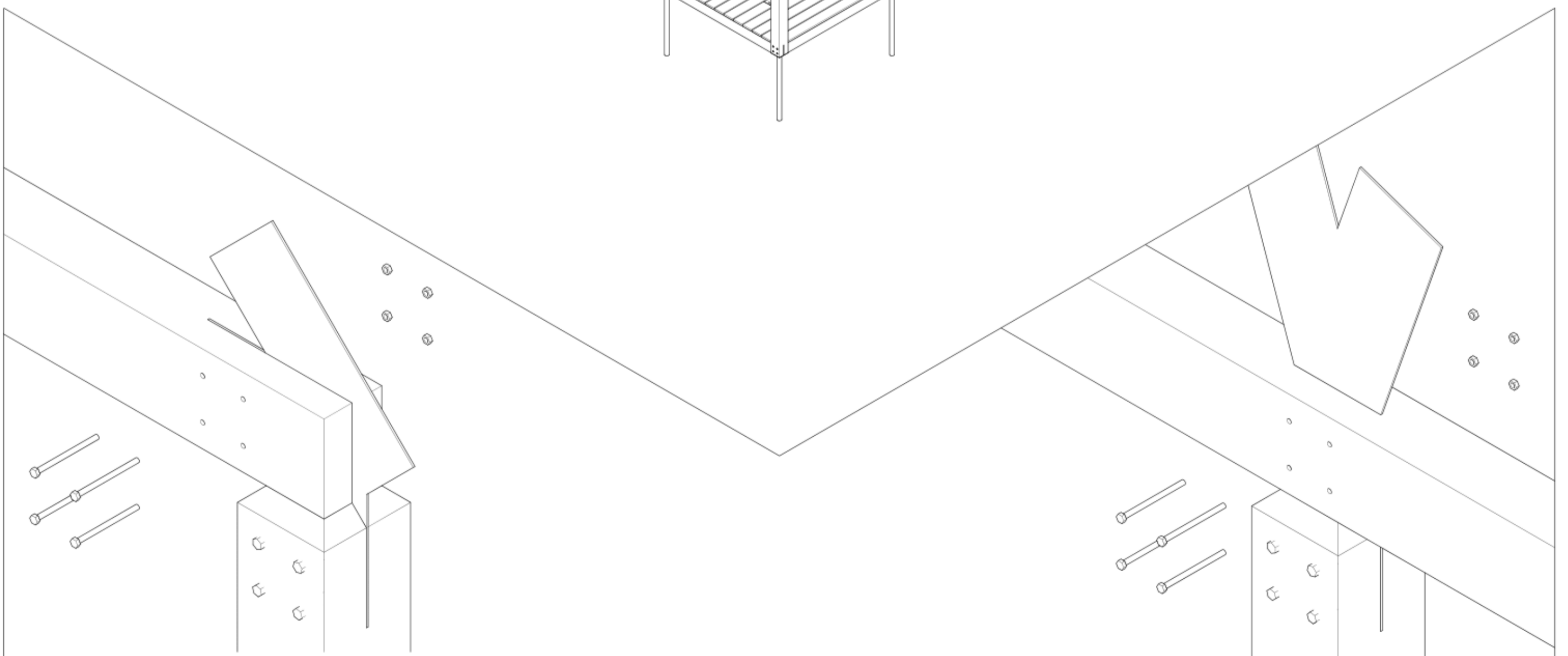
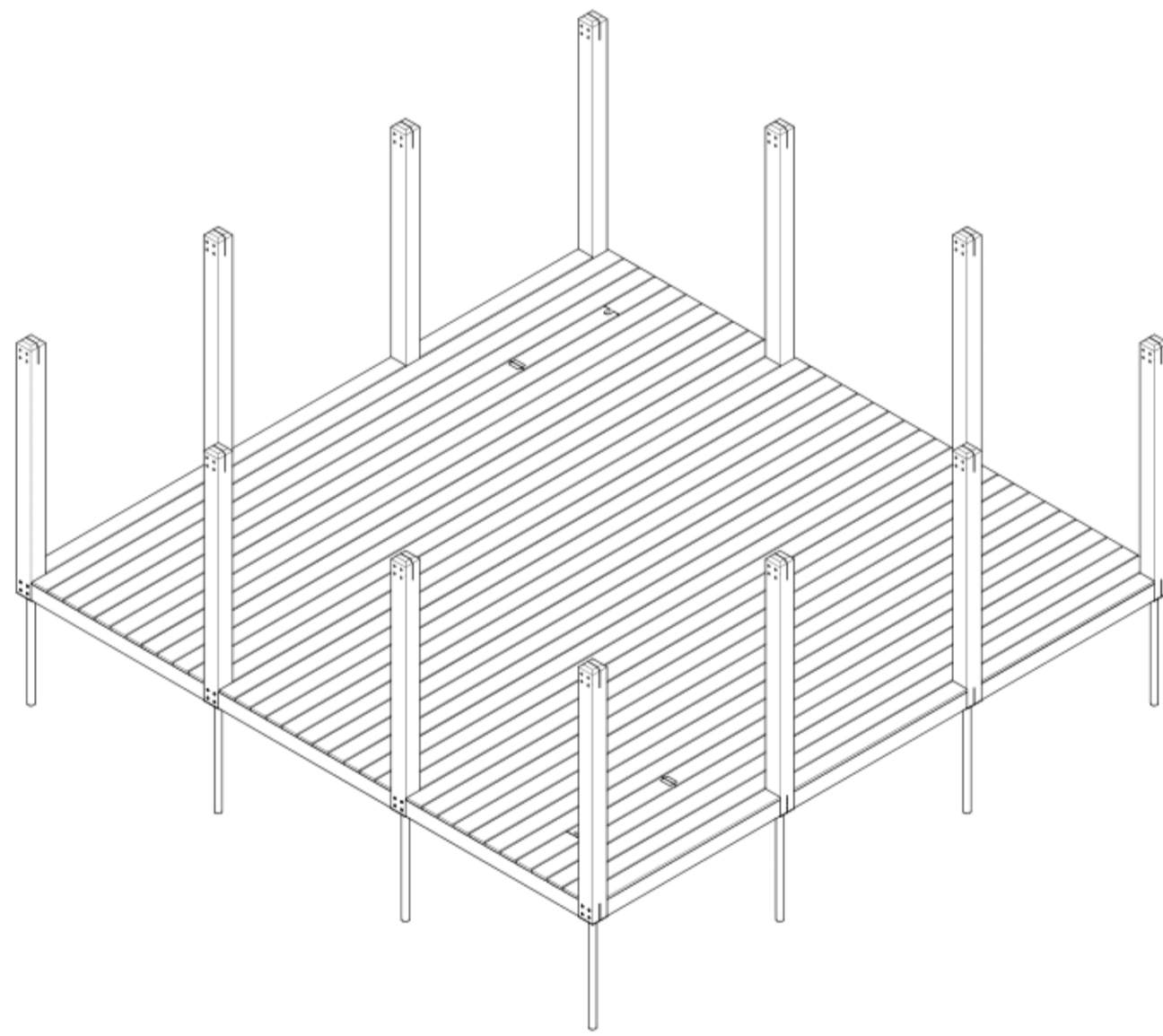
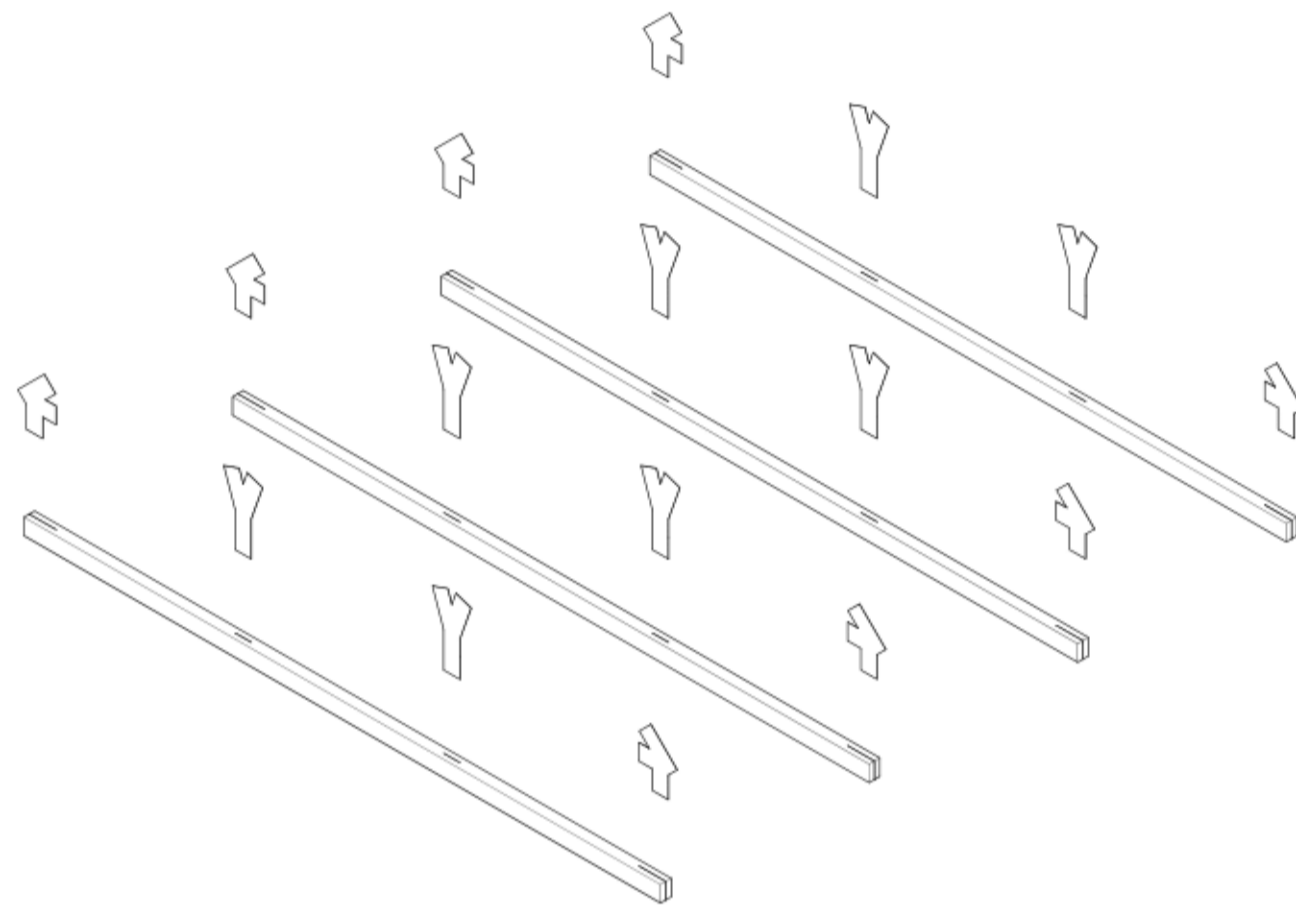
#6
#8
#10
#11



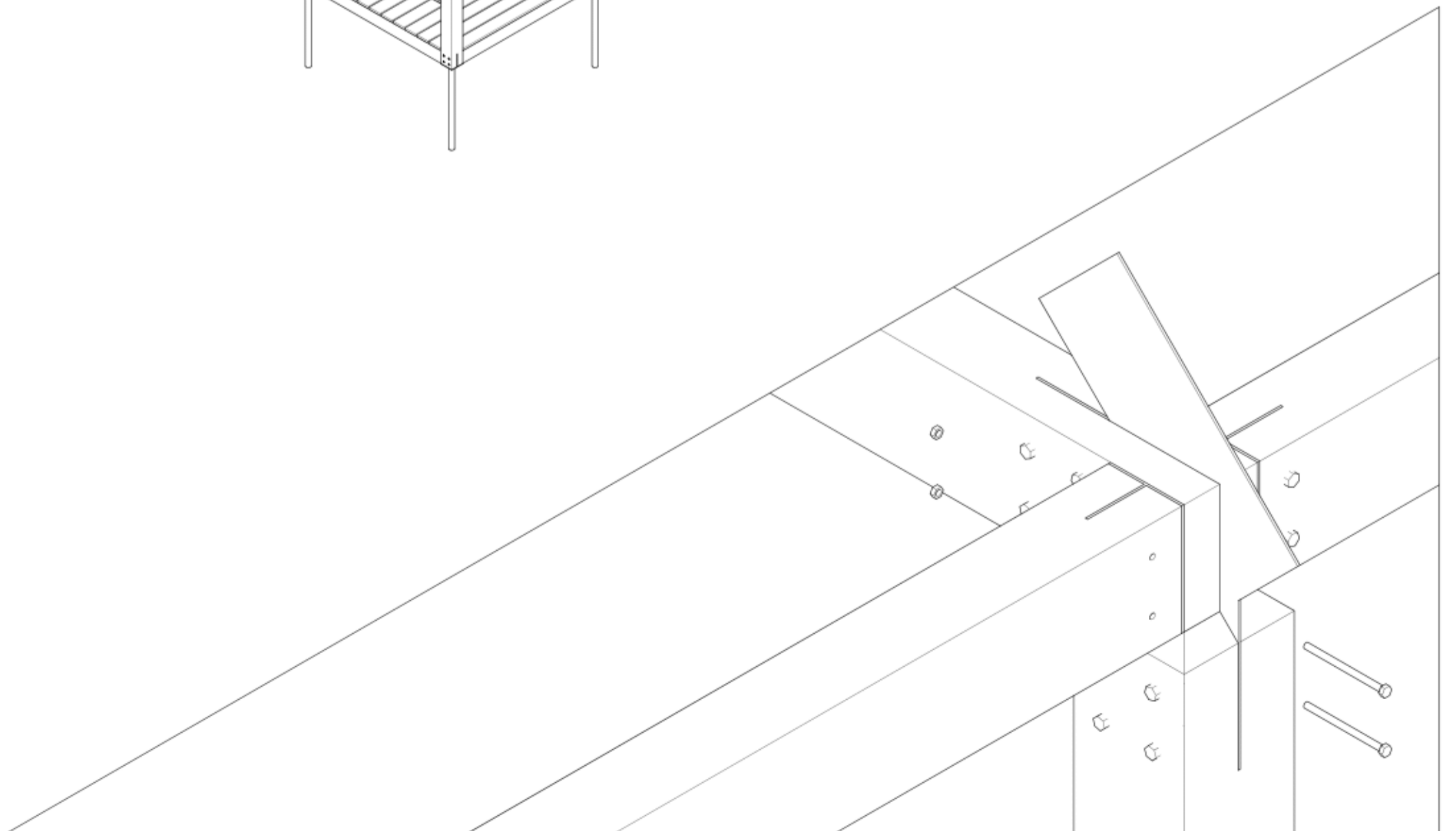
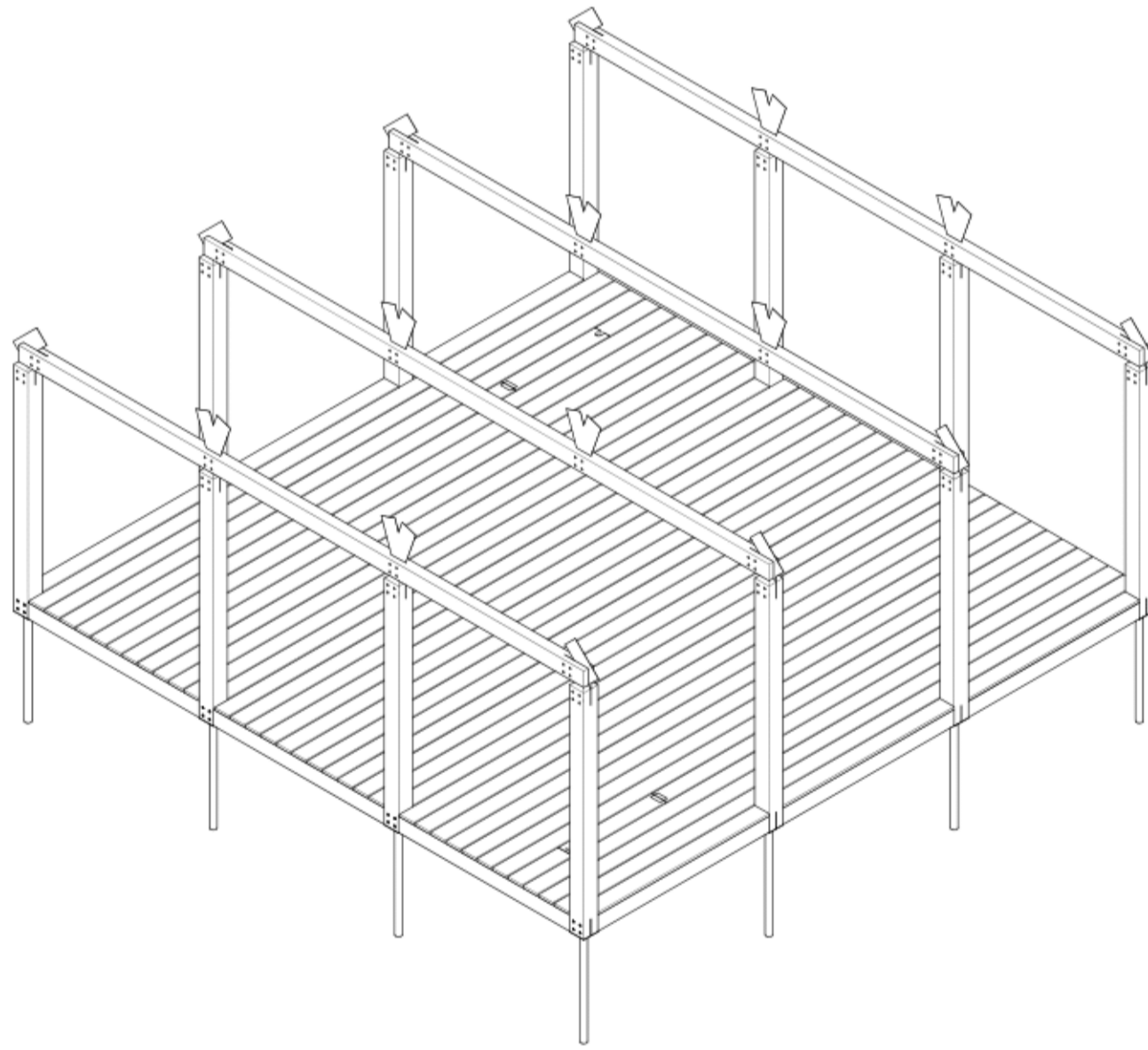
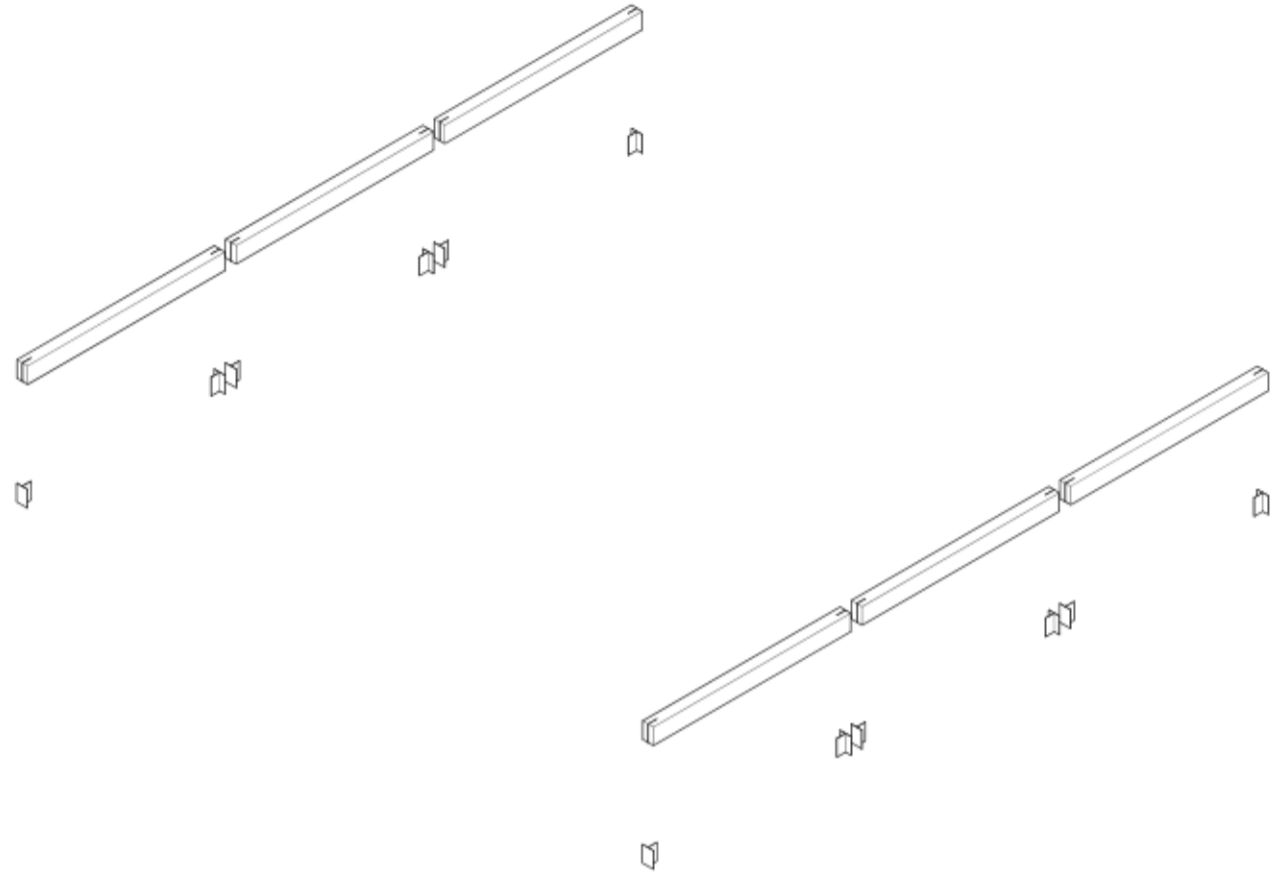
#12



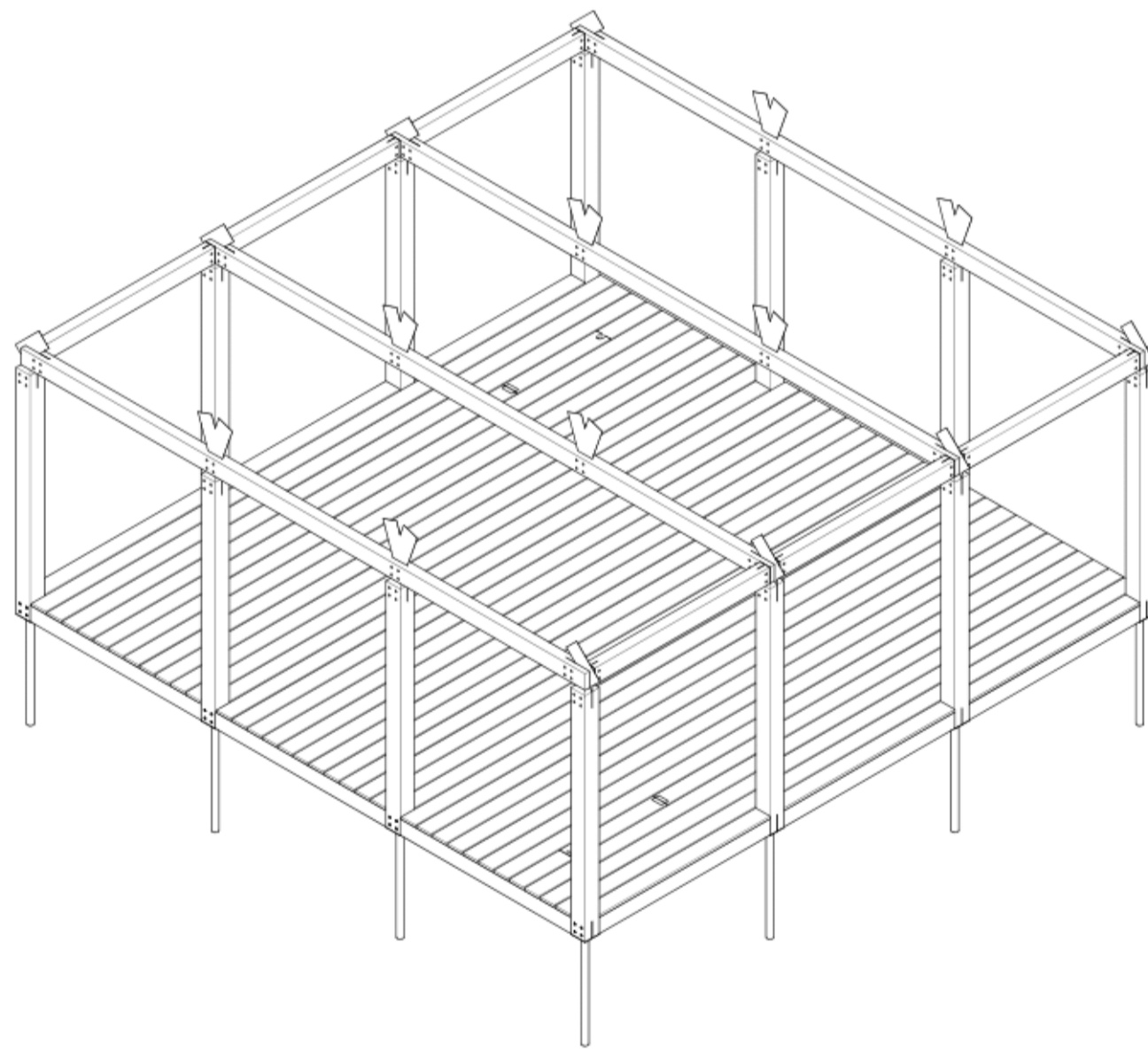
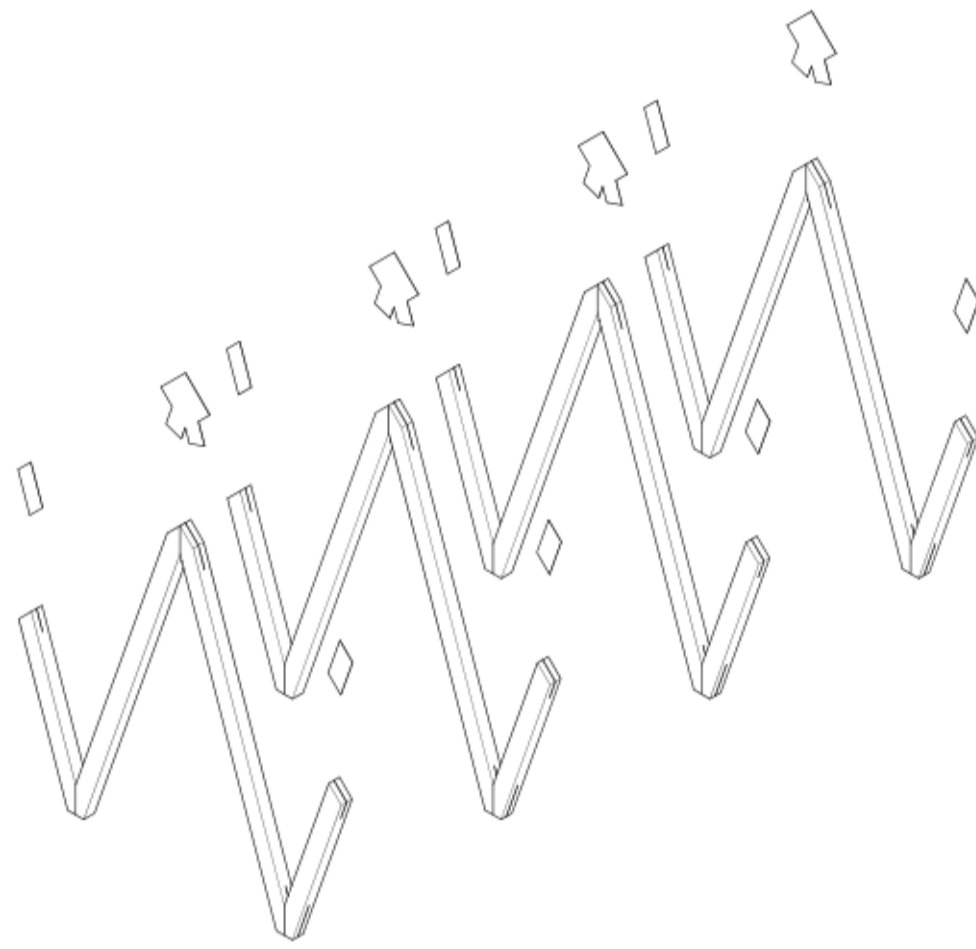
#2
#4
#10



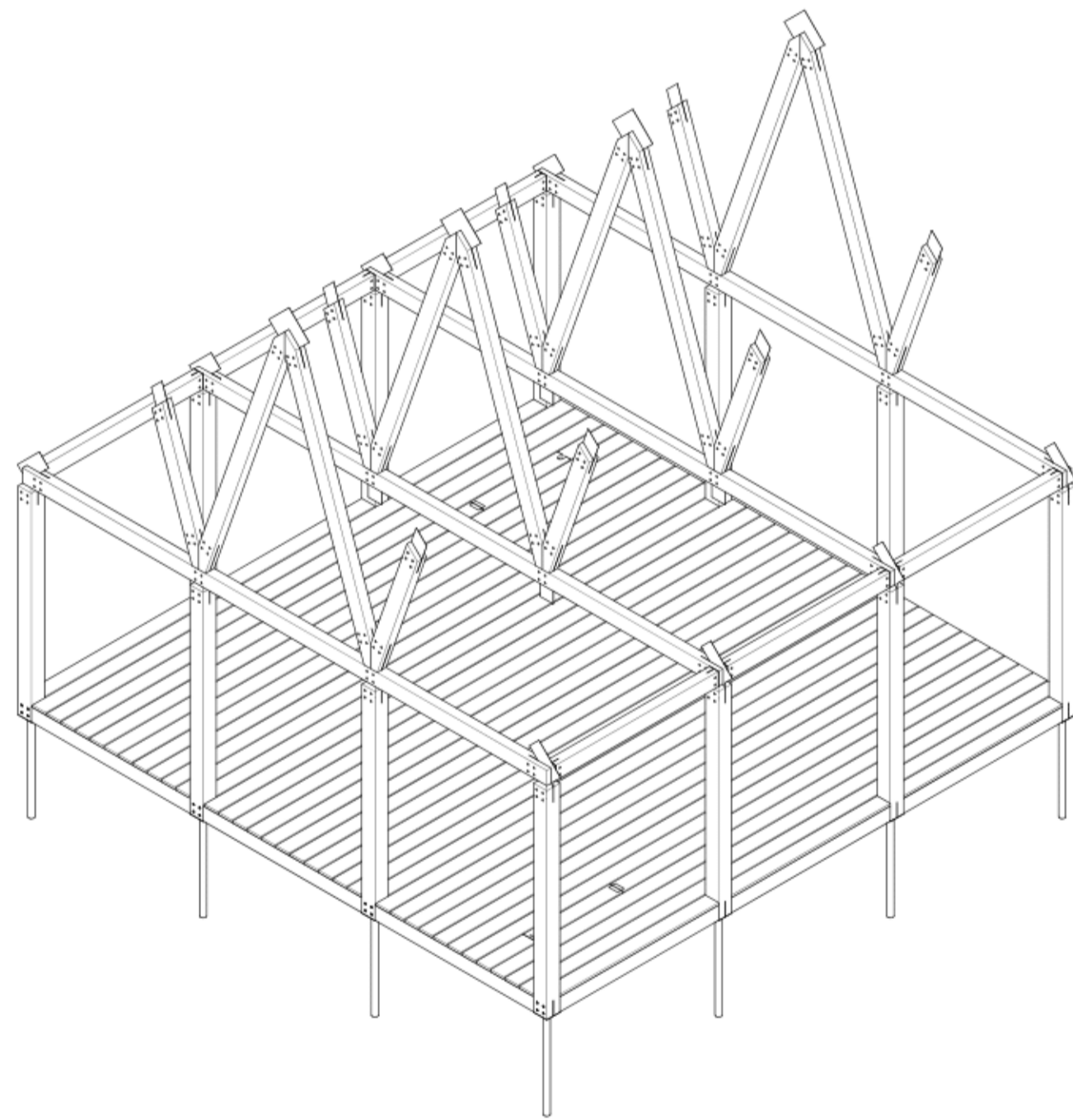
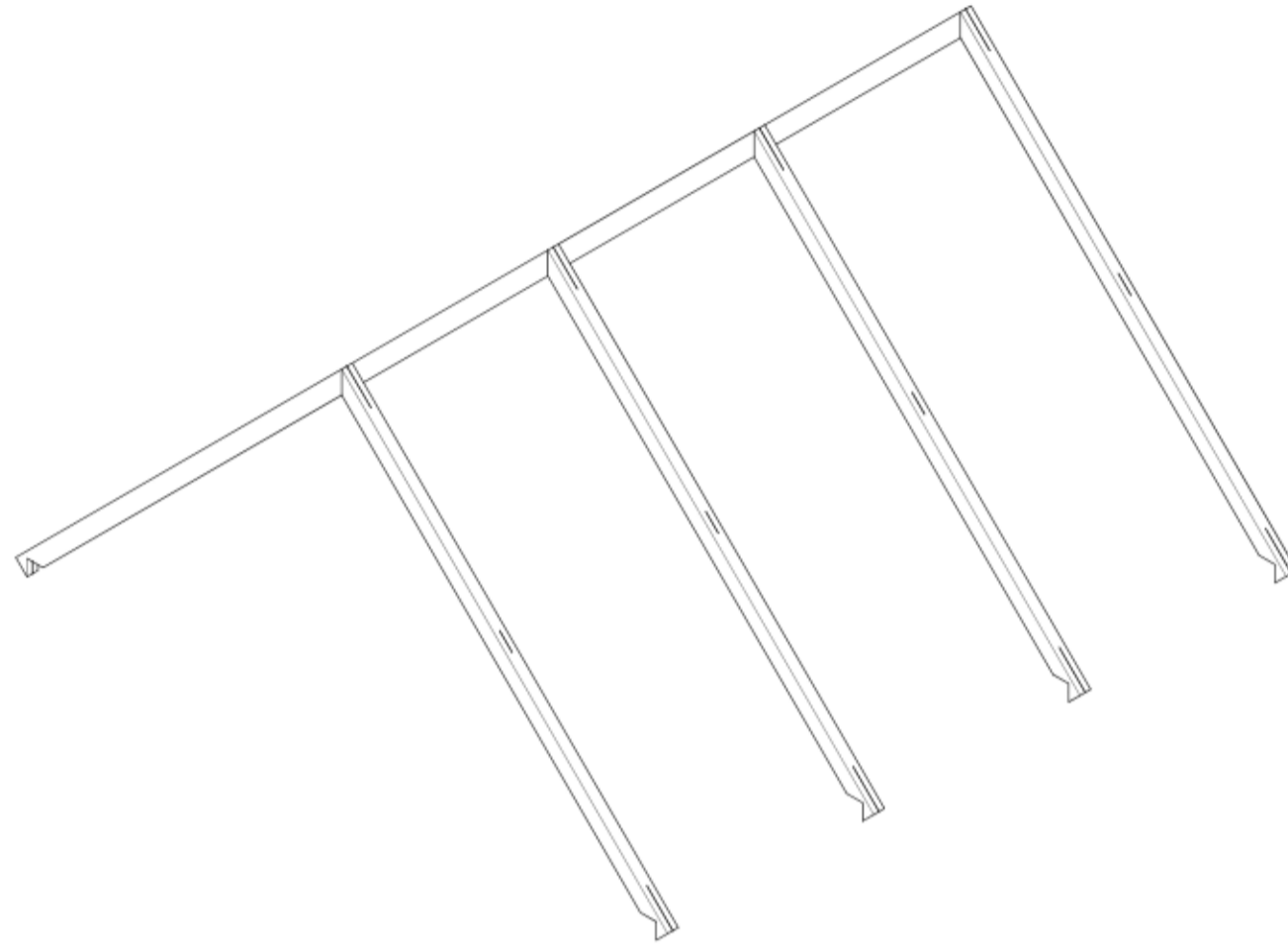
#7
#10



#1
#3
#10



#10



#13
#14
#15
#16

