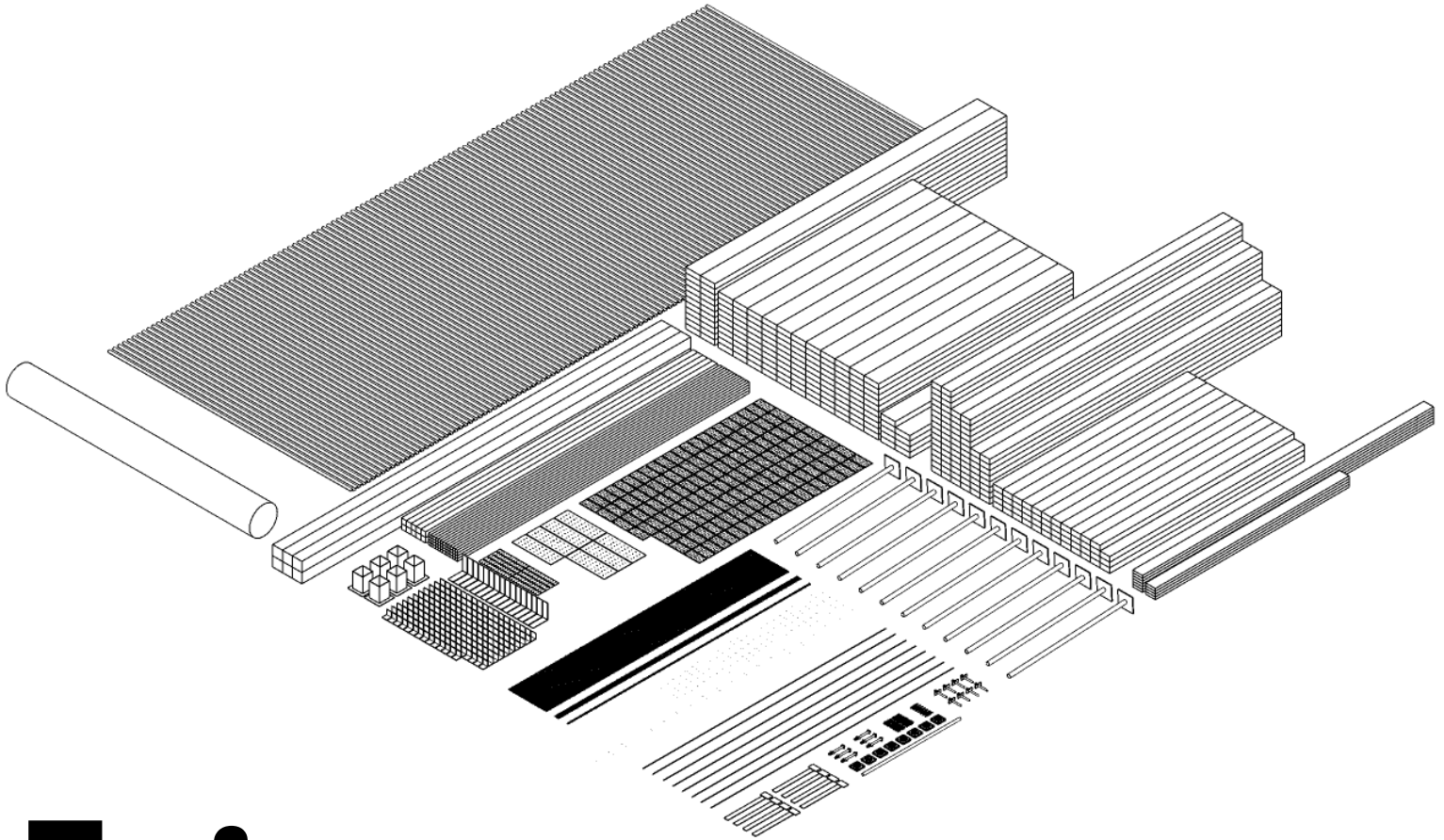


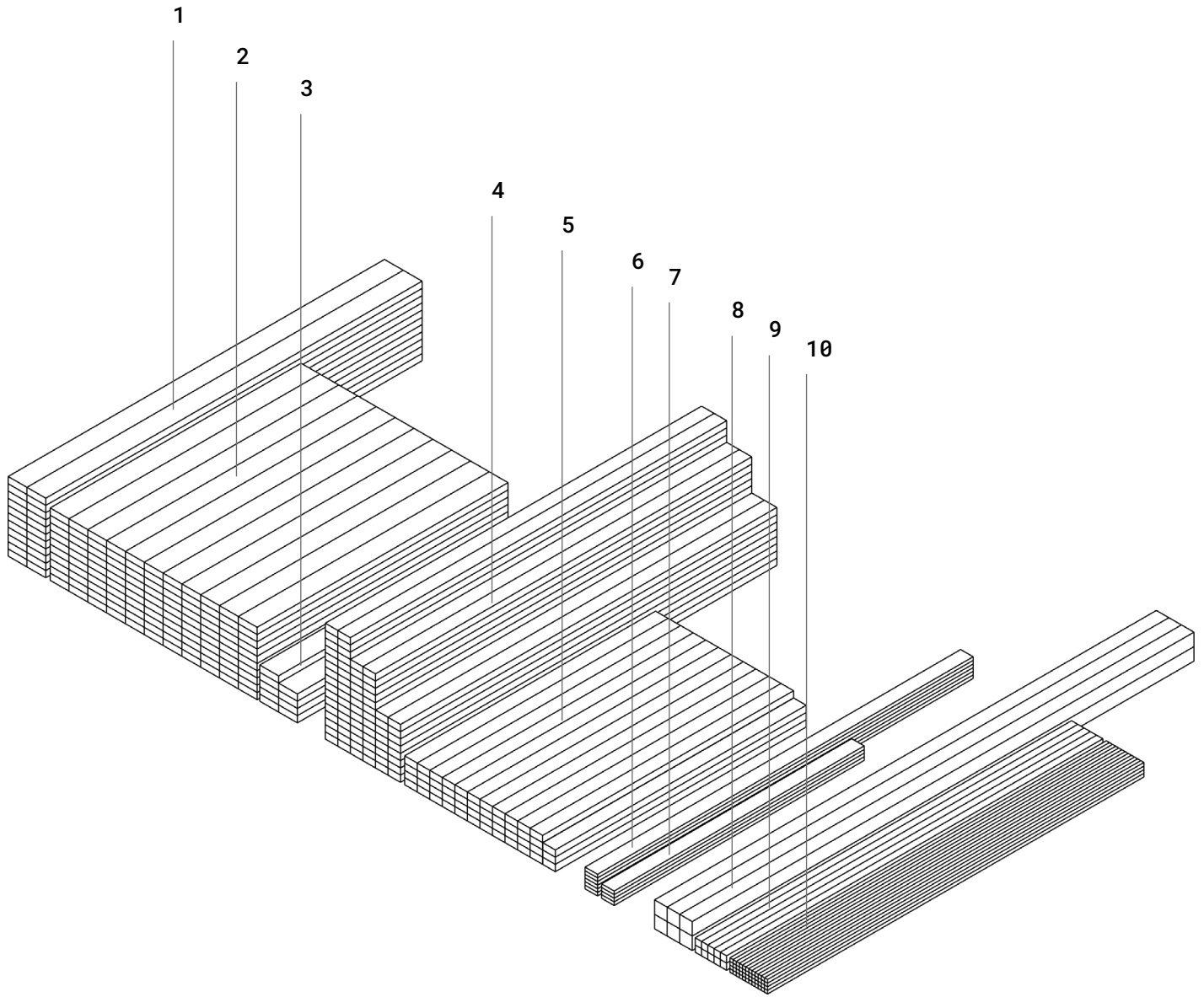
instruction

by assembling
the pavilion:

"I EXPLORE THE WORLD"



list of materials





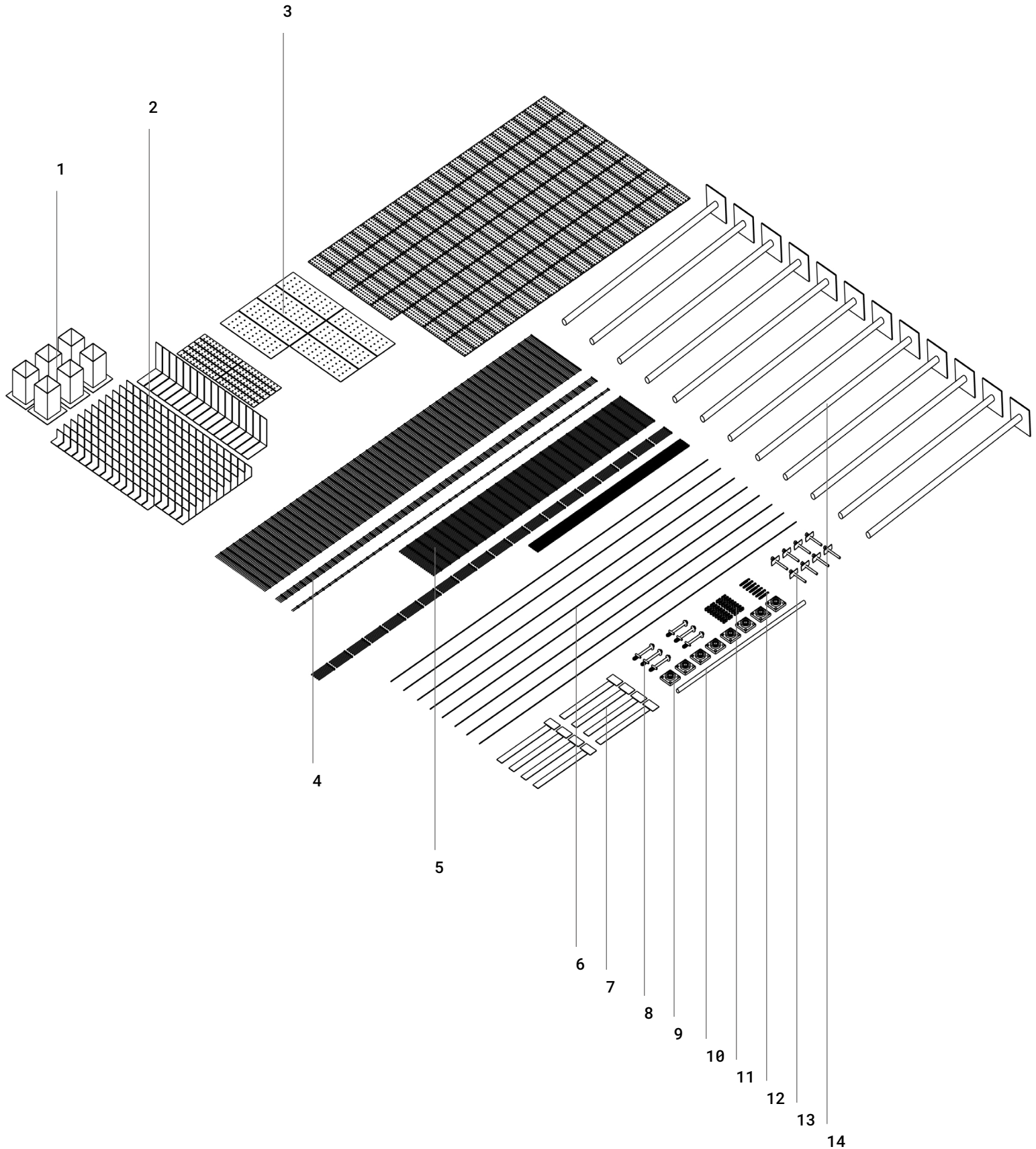
1	Board	150x50x3000	22 pcs
2		150x50x2000	115 pcs
3		150x50x1000	4 pcs
4		100x50x3000	74 pcs
5		100x50x3000	47 pcs
6		100x25x3000	6 pcs
7		100x25x2000	4 pcs



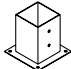






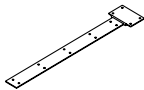
8	Beam	100x100x4000	6 pcs
---	------	--------------	-------

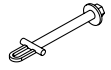


9	Rail	50x50x3000	10 pcs
10		25x25x3000	48 pcs





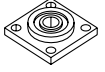
	1	Support columns		100x100x150	6 pcs
	2	Corner metal		150x150x50x3	16 pcs
				50x50x40x2	194 pcs
	3	Plates perforated		300x40x2	10 pcs
				400x140x2	7 pcs
				160x80x1,8	151 pcs
	4	Screws	black	45mm	2000 pcs
			black	100mm	2000 pcs
			flat head	45mm	250 pcs
			roofing	35mm	100 pcs
	5	Bolts		M5 120mm	100 pcs
				M5 60mm	500 pcs
				M10 120	12 pcs
	6	Nuts		M5	600 pcs
				M10	12 pcs
			Base plate with nut	M10	8 pcs
	7	Cable		3 mm thick.	20 metres
	8	Hinges			8 pcs



9

Fasteners
for the swing

6 pcs



10

Bearing
assembly

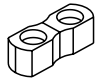
16 pcs



11

Shaft

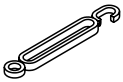
16 pcs



12

Cable clamp

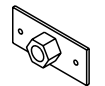
32 pcs



13

Lanyards

8 pcs



14

Base plate
with nut

8 pcs



15

On-board bracket

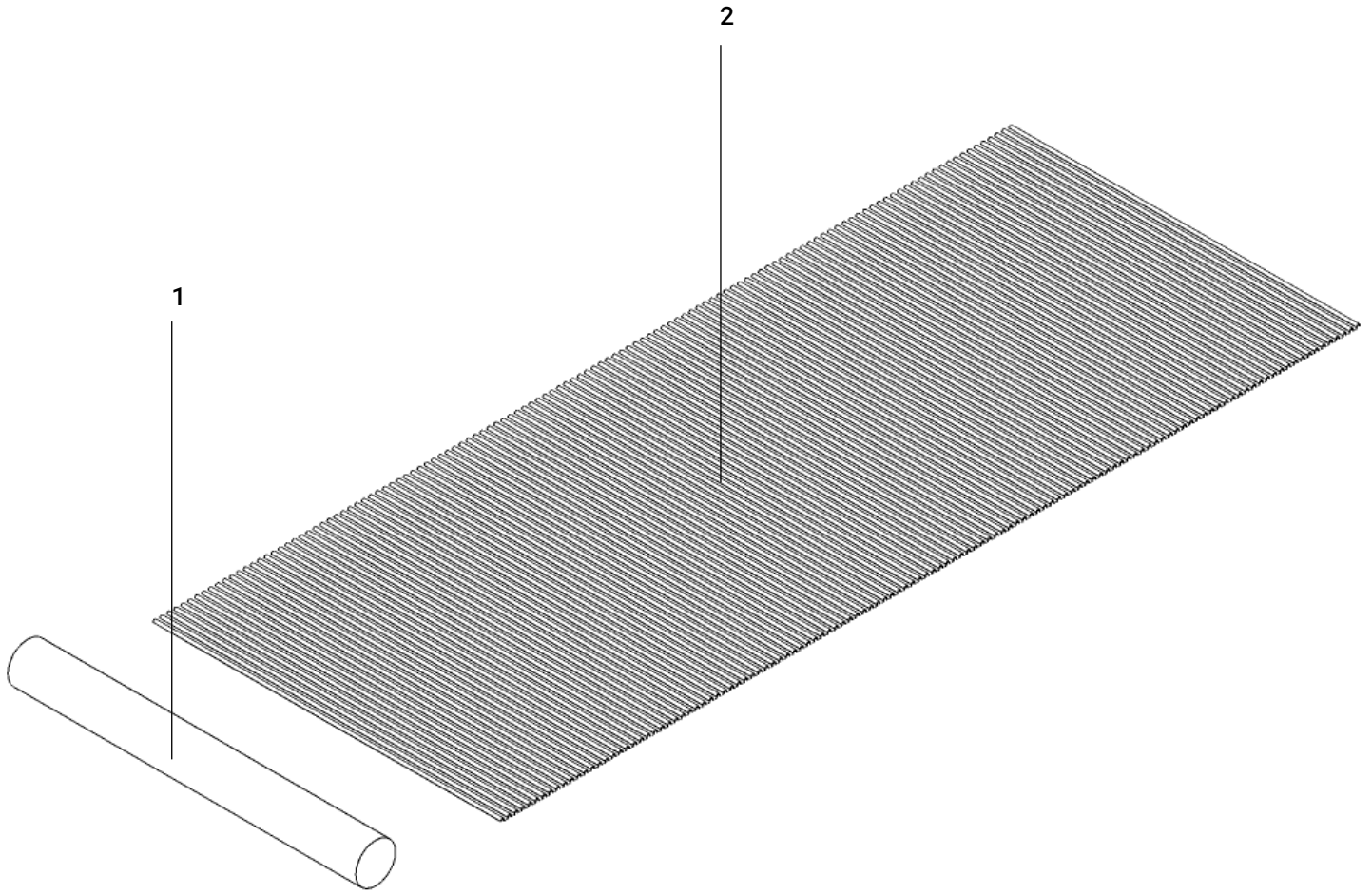
2 pcs






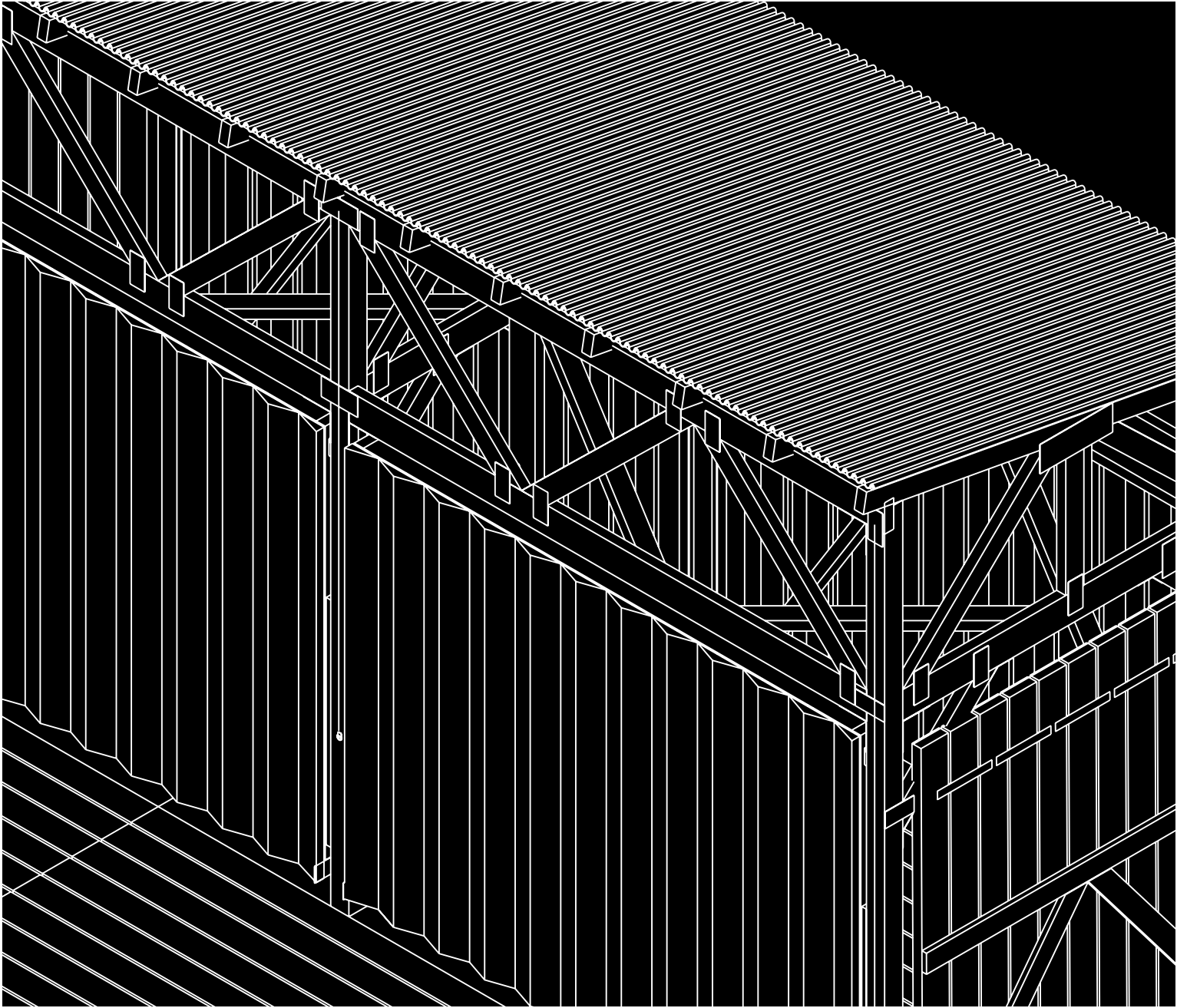
15

Pal

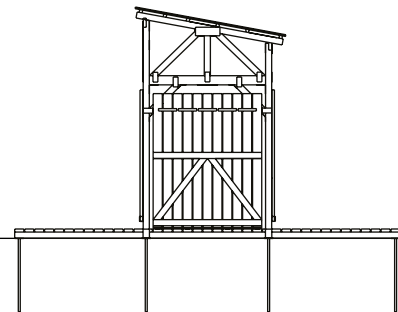
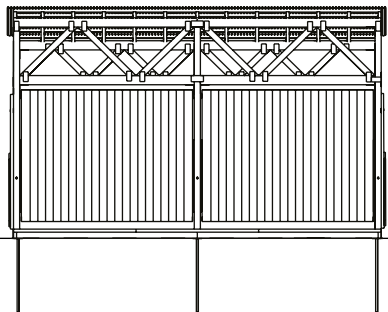
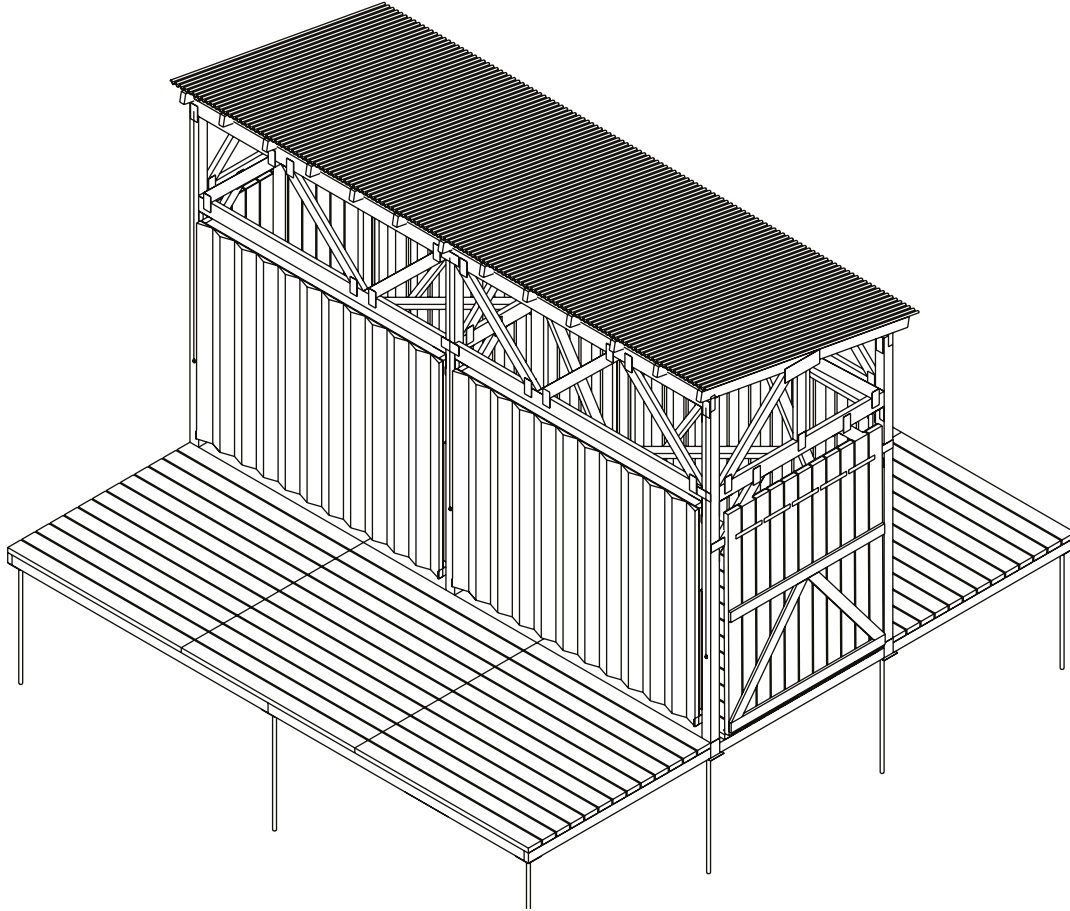
12 pcs

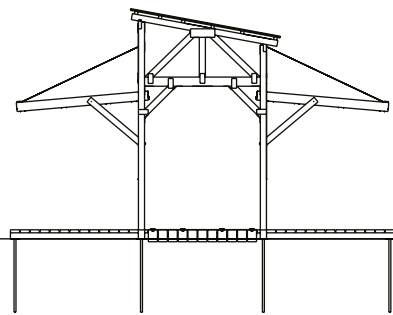
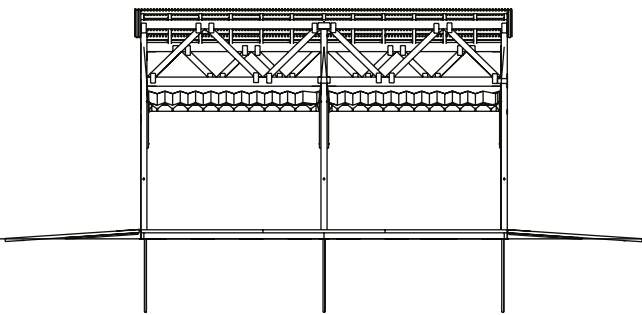
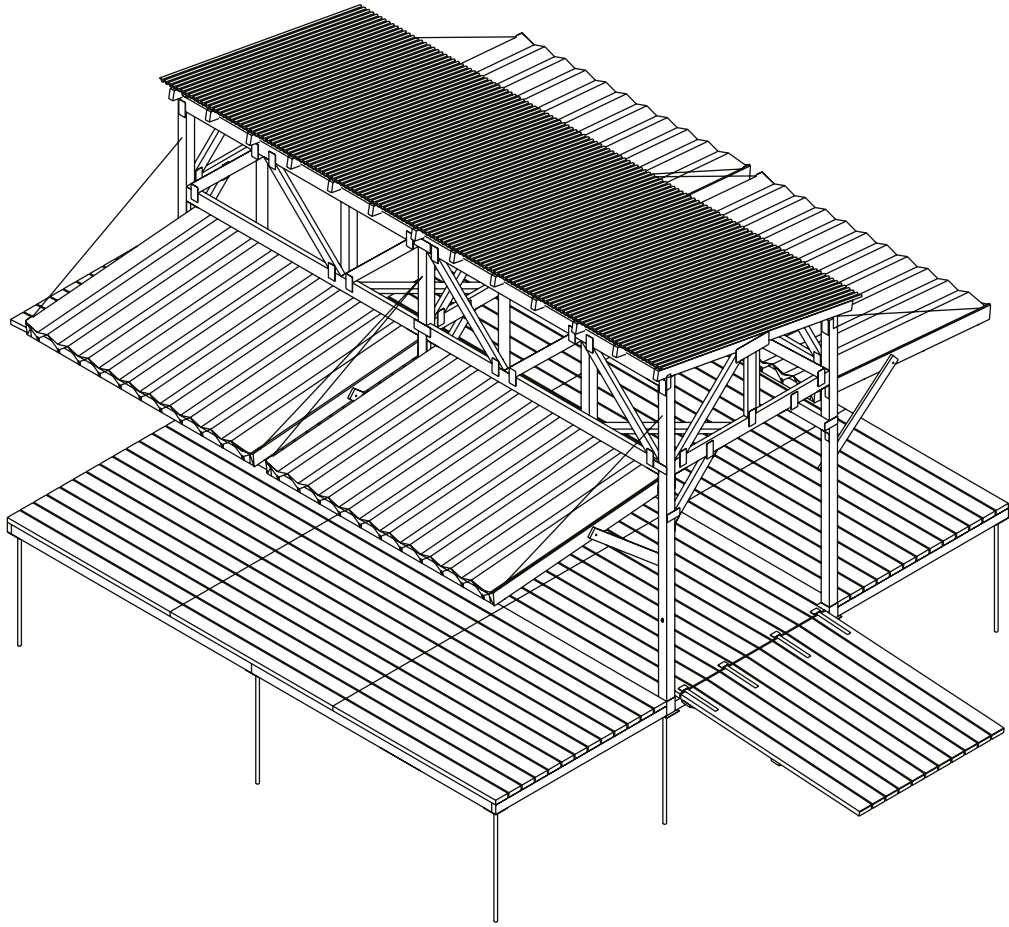


	1	Vinyl tarpaulin	3200x2500mm	4 pcs
	2	Polycarbonate slate	6200x3500mm	1 pcs
	3	Tytan biosecurity	5 litres	4 pcs



structural elements





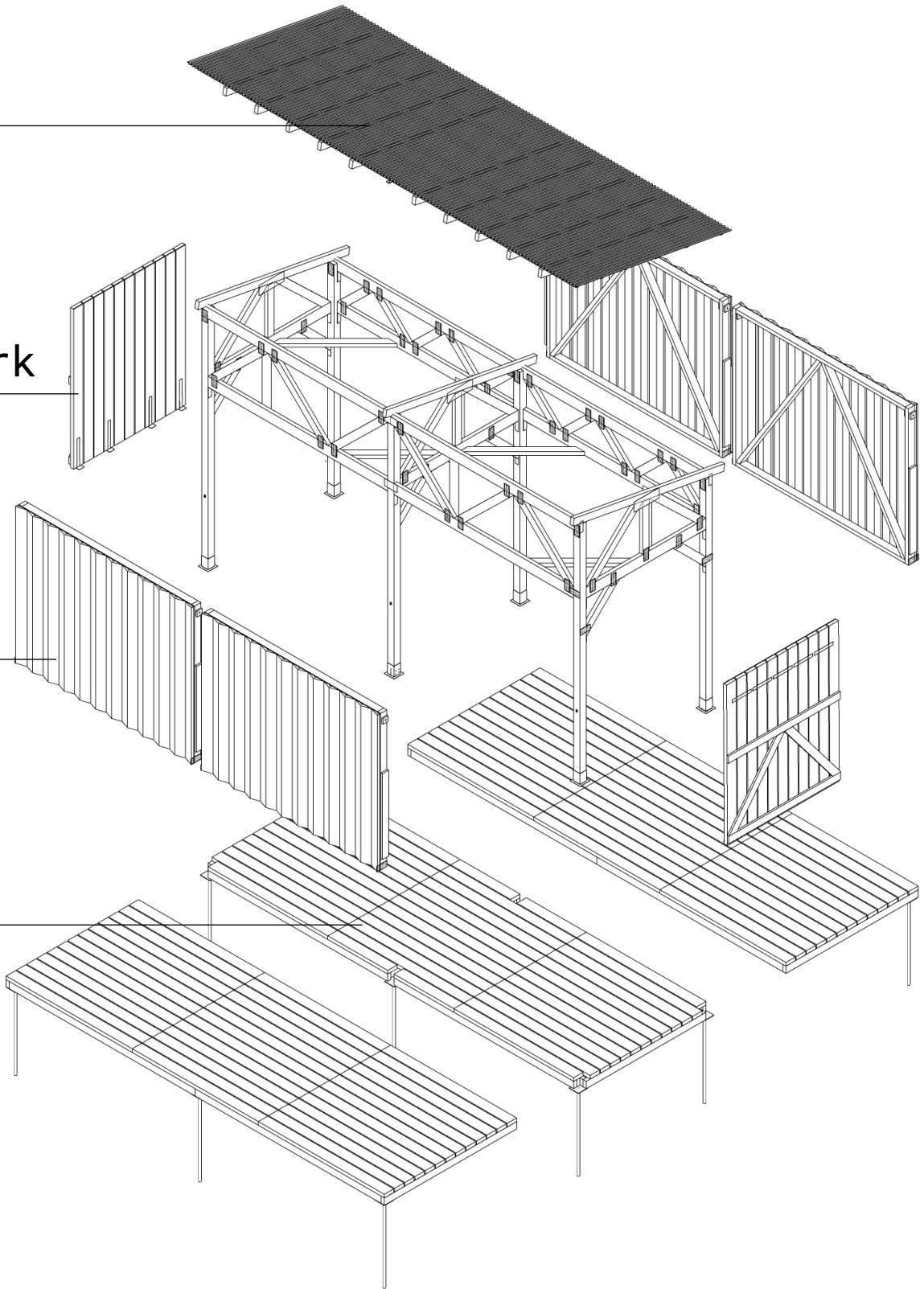


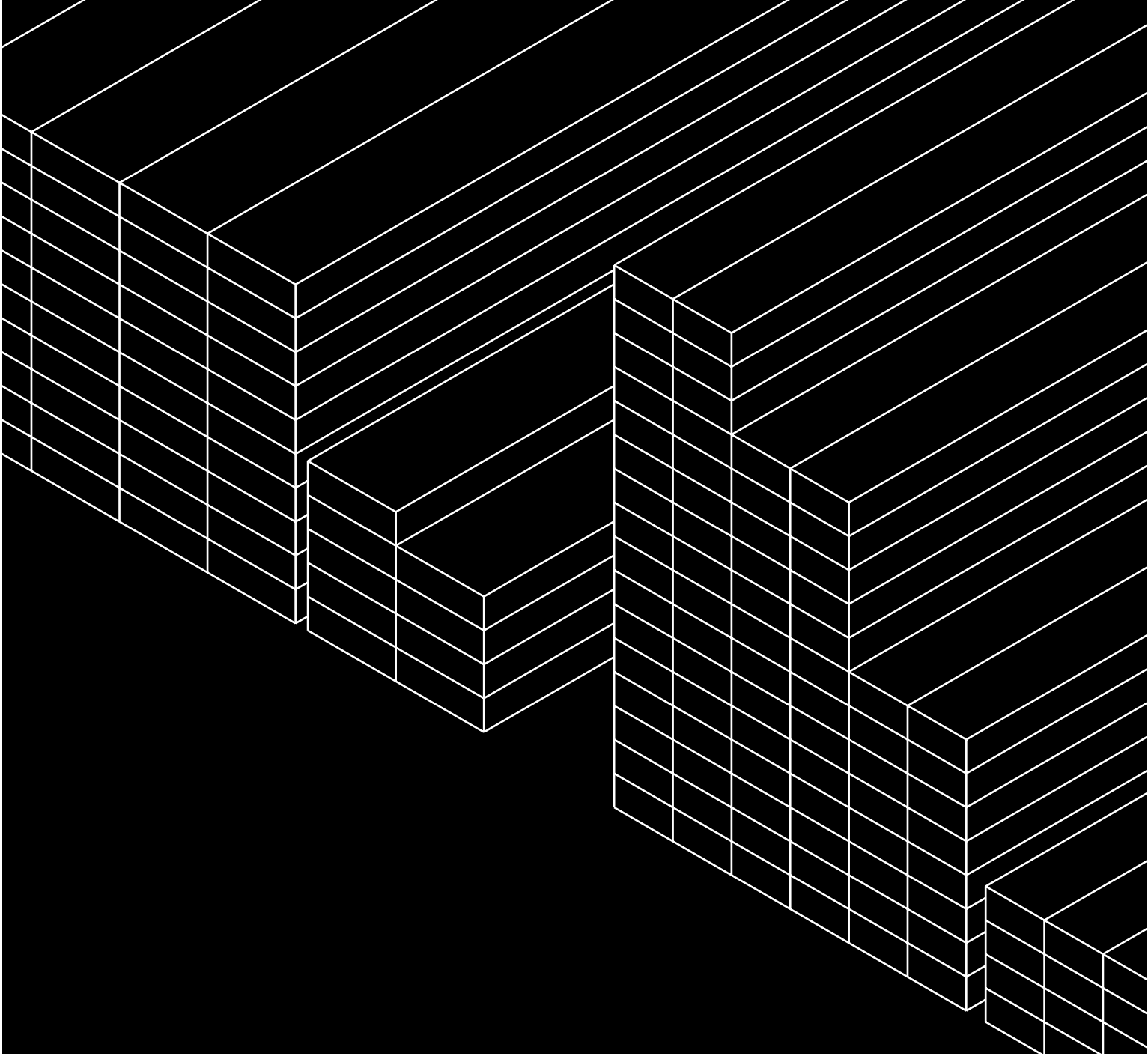
4
roof

3
framework

2
sashes

1
podium





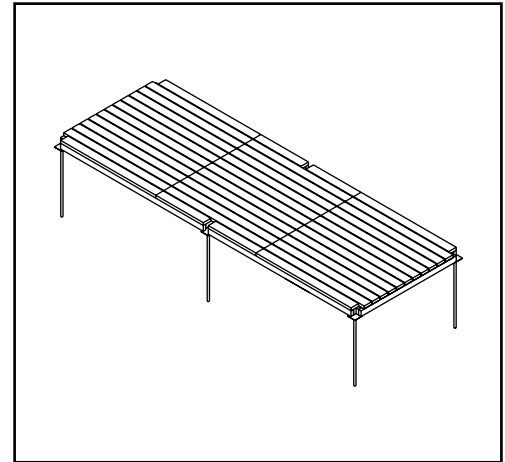
assembling



1

PODIUM

for the pavilion



Required ↘

foundation



1

Pal

100x50x2000

6 pcs

wood



1

Board

100x50x2000

22 pcs

2

Board

100x50x3000

4 pcs

Board

150x50x2000

37 pcs

hardware materials



1

Metal
corner

50x50x40x2

56 pcs



1

Screws

100mm

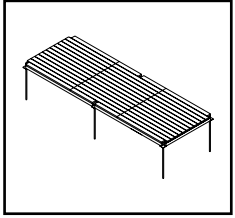
416 pcs

45mm

224 pcs

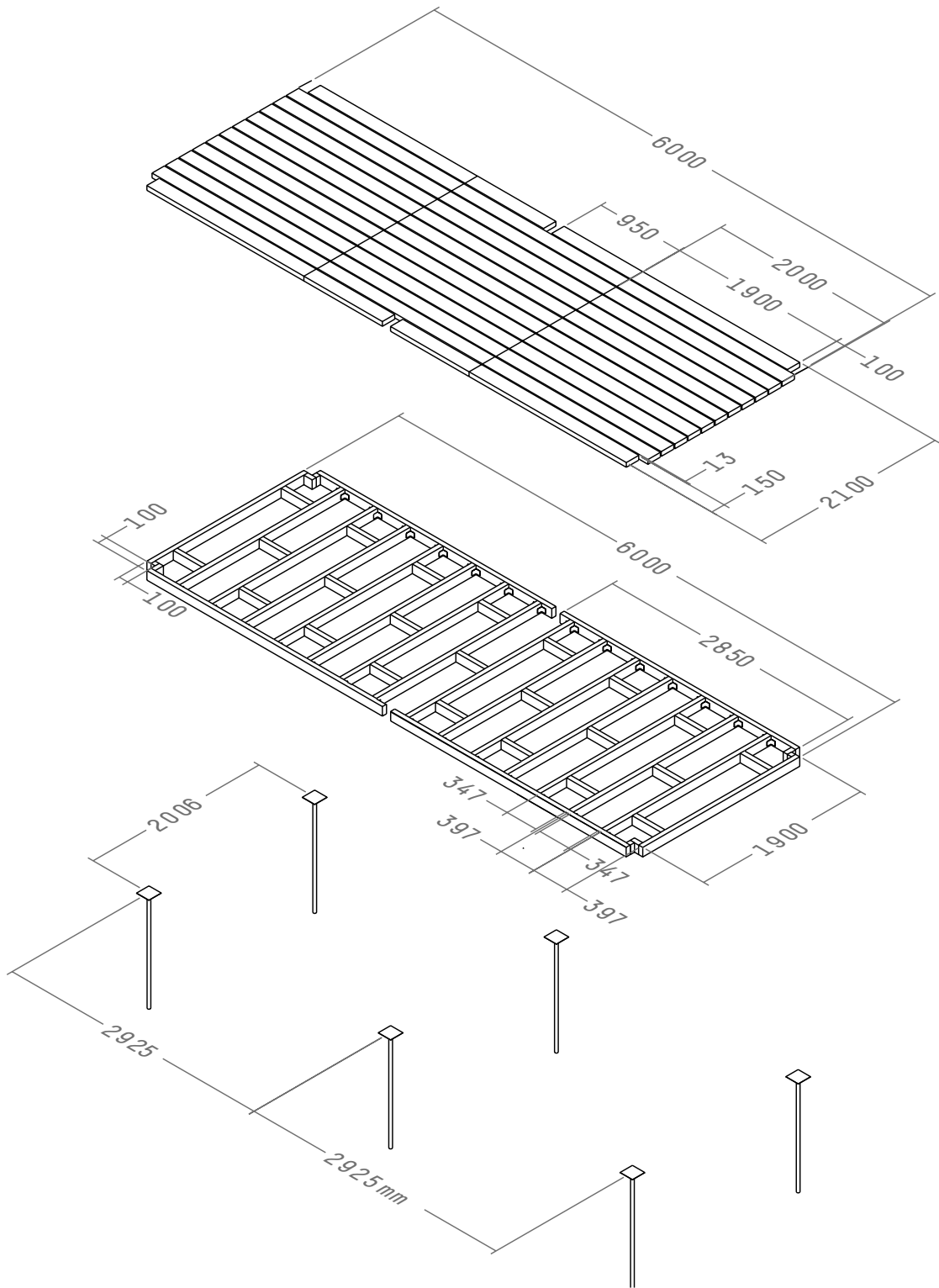


1



PODIUM

for the
pavilion

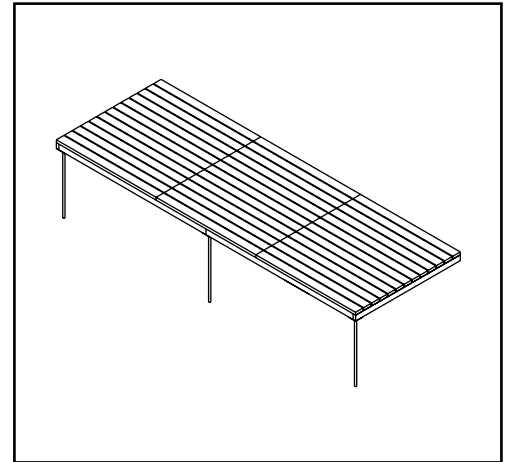




1

PODIUM

side
2 pcs



Required ↘

foundation



1

Pal

100x50x2000

3 pcs

wood



1

Board

100x50x2000

22 pcs

2

Board

100x50x3000

4 pcs

Board

150x50x2000

37 pcs

hardware materials



1

Metal angle

50x50x40x2

56 pcs

Angle

150x150x50

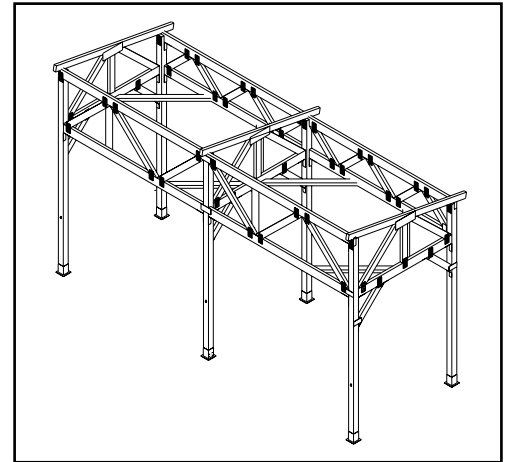
416 pcs



2

FRAMEWORK

1/2 part



Required ↴

foundation



1

Column support

100x50x2000

3 pcs

wood



1

Board

100x50x2000

22 pcs

Board

100x50x3000

4 pcs



2

Beam

100x100x4000

6 pcs

hardware materials



1

Metal corner

50x50x40x2

6 pcs

Metal corner

150x150x50x3

16 pcs



2

Perforated plate

160x80x1,8

144 pcs

Perforated plate

400x140x2

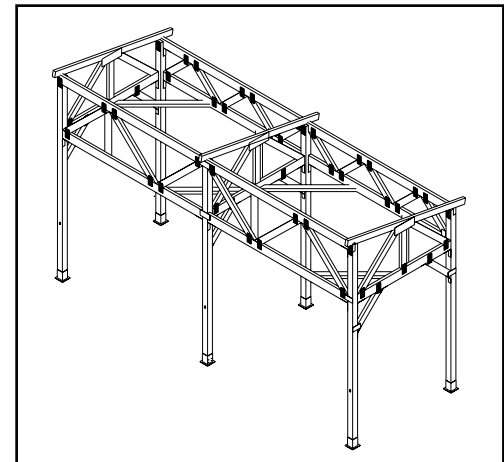
144 pcs



2

FRAMEWORK

2/2 part



Required ↴

hardware materials



4

Perforated plate

160x80x1,8

144 pcs

Perforated plate

400x140x2

6 pcs



5

Screws black

45mm

400 pcs



6

Bolts

M5 120mm

8 pcs

M5 60mm

80 pcs



7

Nuts

M5

88 pcs



8

On-board bracket

M5 120mm

2 pcs



9

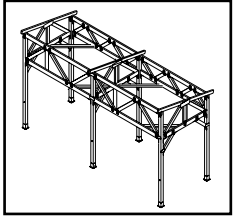
Mounting for the swing

M5 120mm

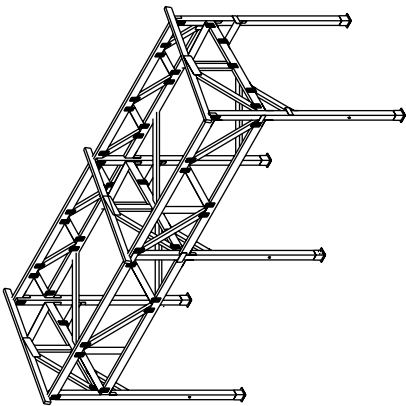
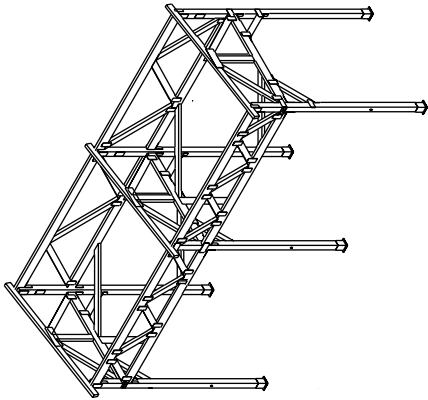
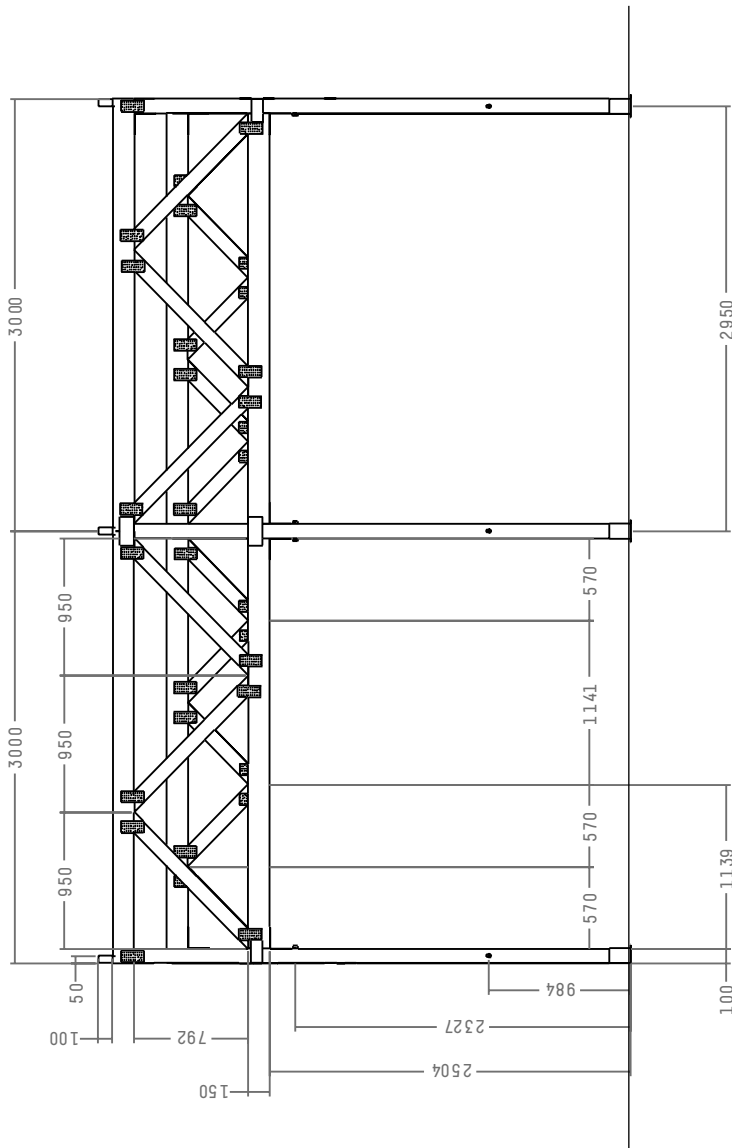
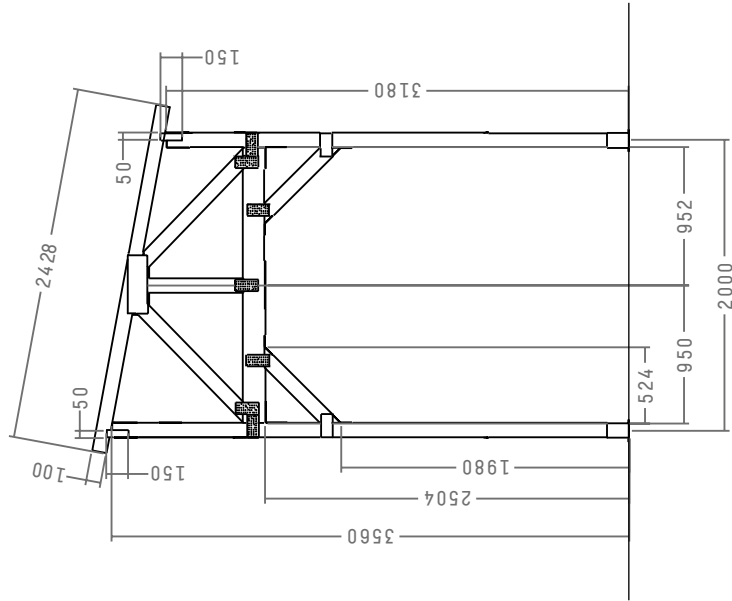
6 pcs



2

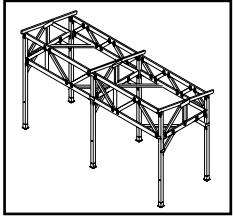


**FRAMEWORK
dimensions**

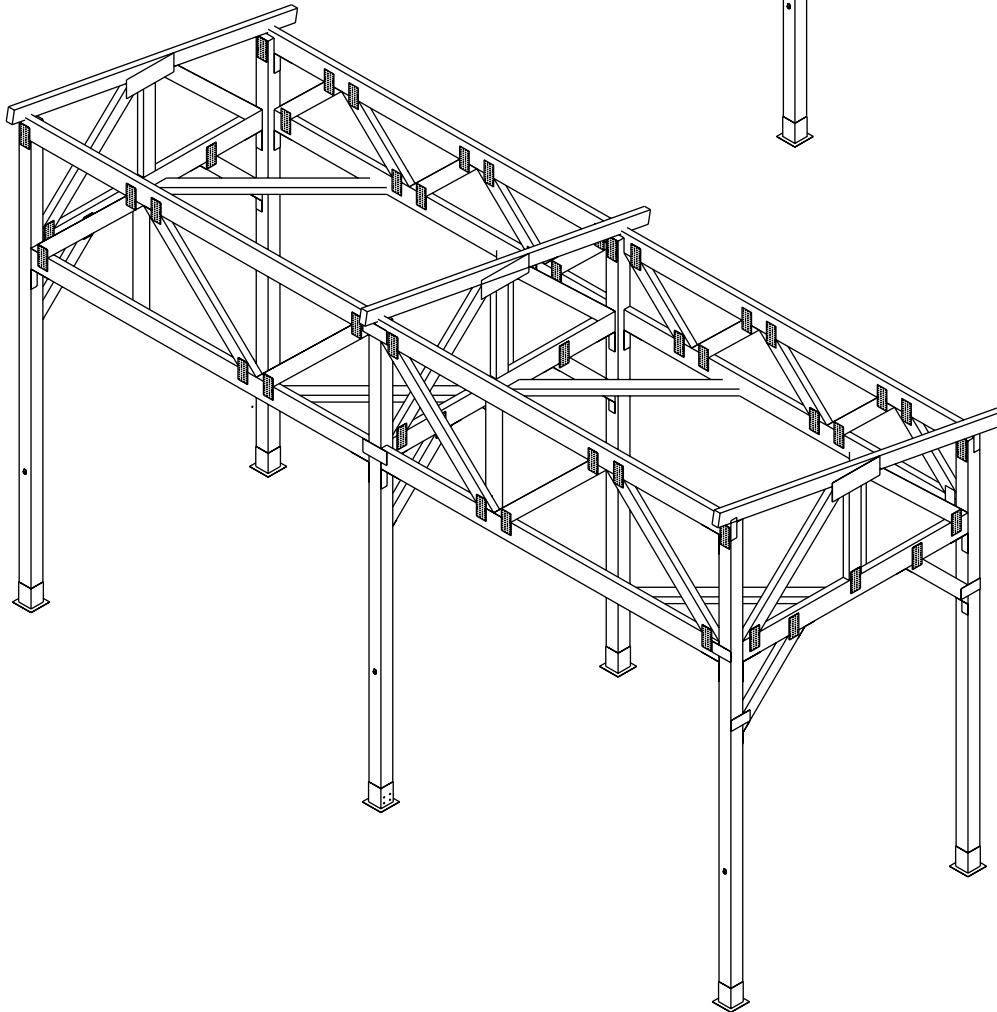
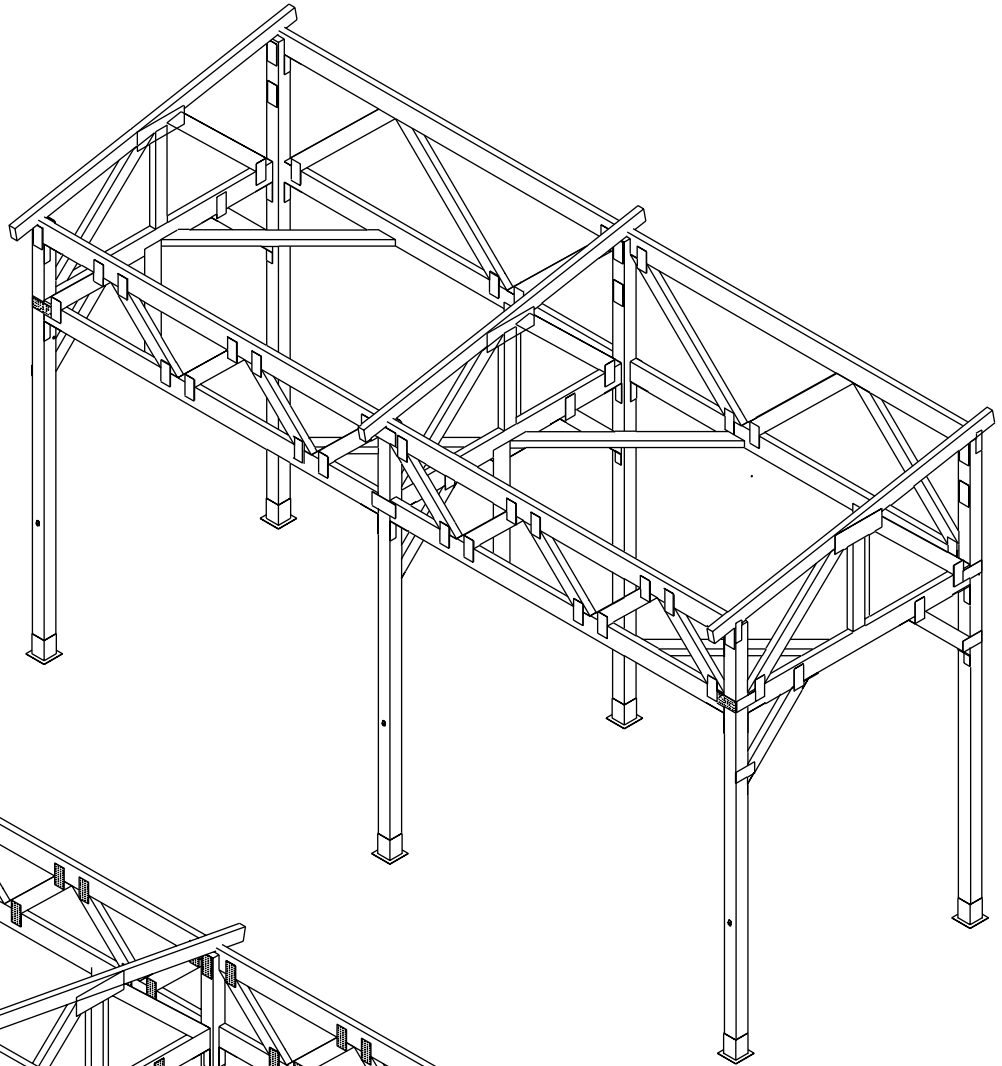




2



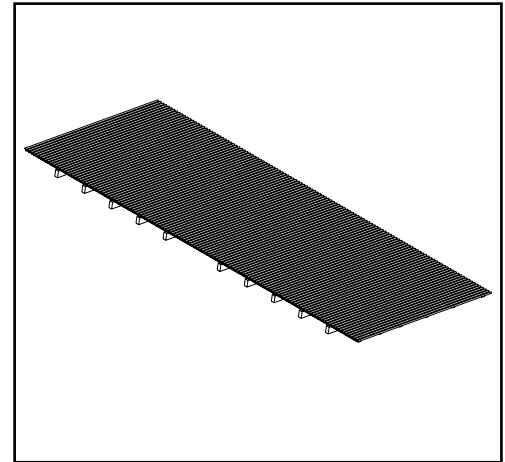
FRAMEWORK
dimensions





3

ROOF



Required ↴

roof



1

Polycarbonate
slate

3200x2500mm

1 pcs

wood



1

Board

100x50x2500mm

10 pcs



2

Beam

50x50x3000mm

10 pcs

hardware materials



1

Screws

black

45mm

80 pcs

2

Screws

roofing

35mm

52 pcs



3

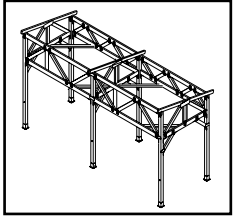
Metal corner

50x50x40x2

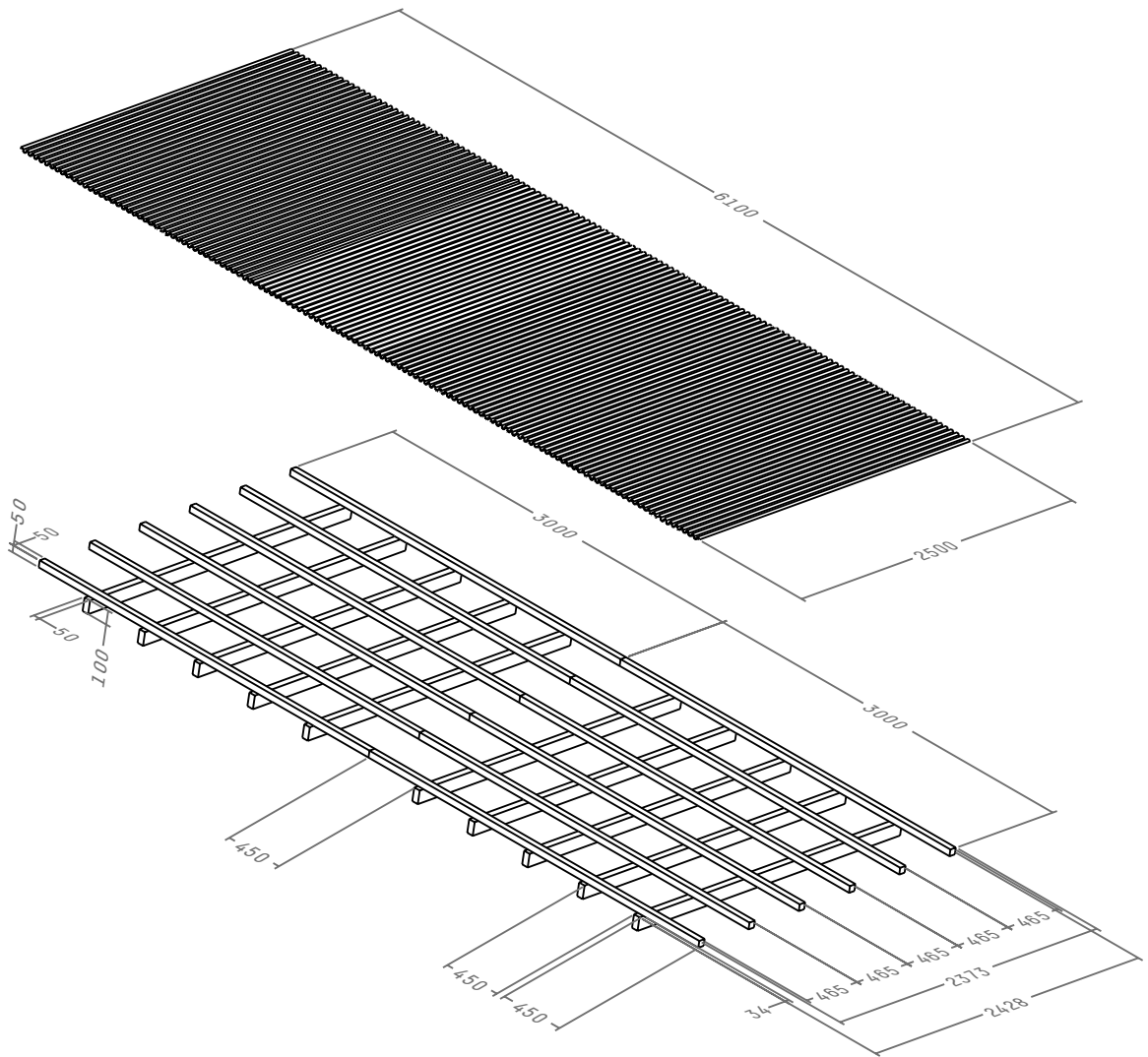
17 pcs



2



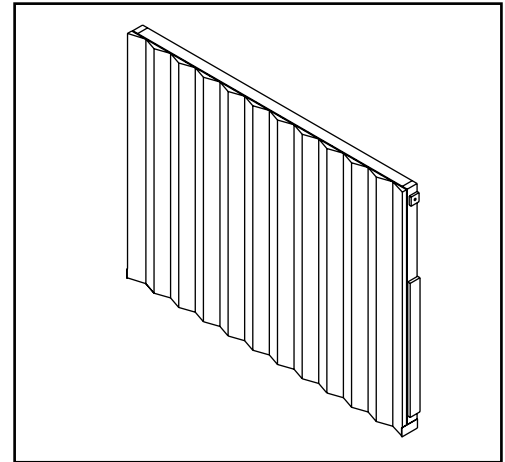
**FRAMEWORK
dimensions**





4

SASHES



1/2 part

Required ↴

wood



1

Board

100x50x3000mm 6 pcs

Board

100x25x2000mm 2 pcs



2

Beam

25x25x2500mm 12 pcs

hardware materials



1

Screws

black

45mm

80 pcs

2

Screws

roofing

35mm

52 pcs



3

Bolts

roofing

M5 120mm

100 pcs



4

Nuts

M5

600 pcs



5

Cable

3 mm thick

20 metres



6

Cable clamp

double

for 3 mm thick

32 pcs

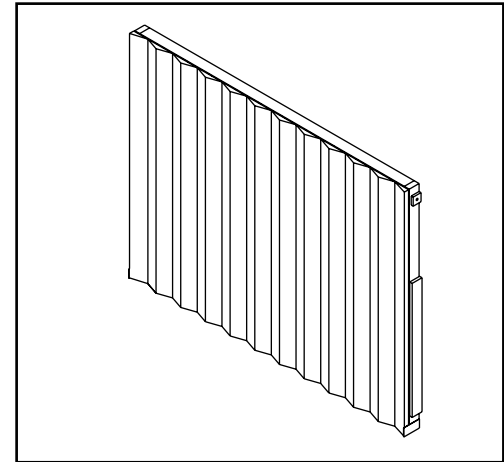


4

SASHES

4 pcs

2/2 part



Required ↴

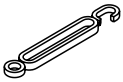
hardware materials



7

Base plate with nut

M10 3 mm thick 20 metres



8

Lanyards hook ring

5x75 mm 2 pcs



9

Perforated plates

160x80x1,8 2 pcs

roof

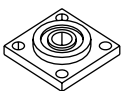


1

Vinyl tarpaulin

3 mm thick 20 metres

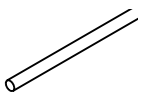
hinge



1

Bearing assembly

3 mm thick 2 pcs



2

Shaft

M20 112 mm 2 pcs



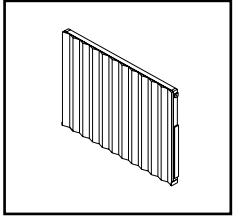
3

Shaft support

M20 2 pcs



4



**SASHES
dimensions**

