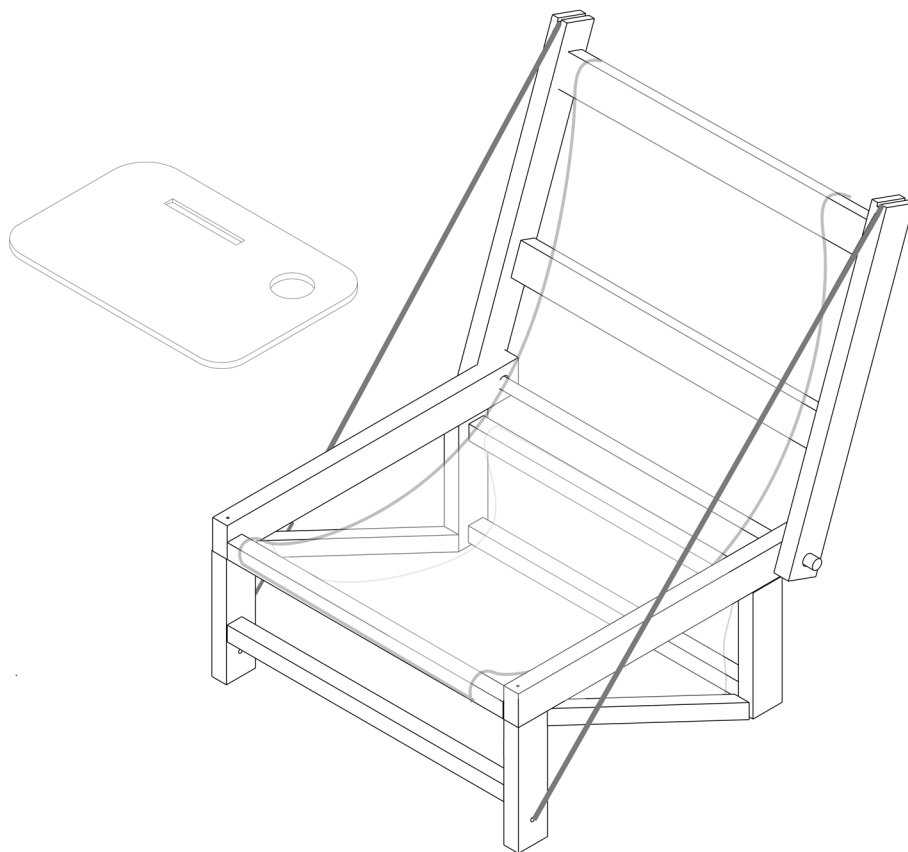


INSTRUCTION

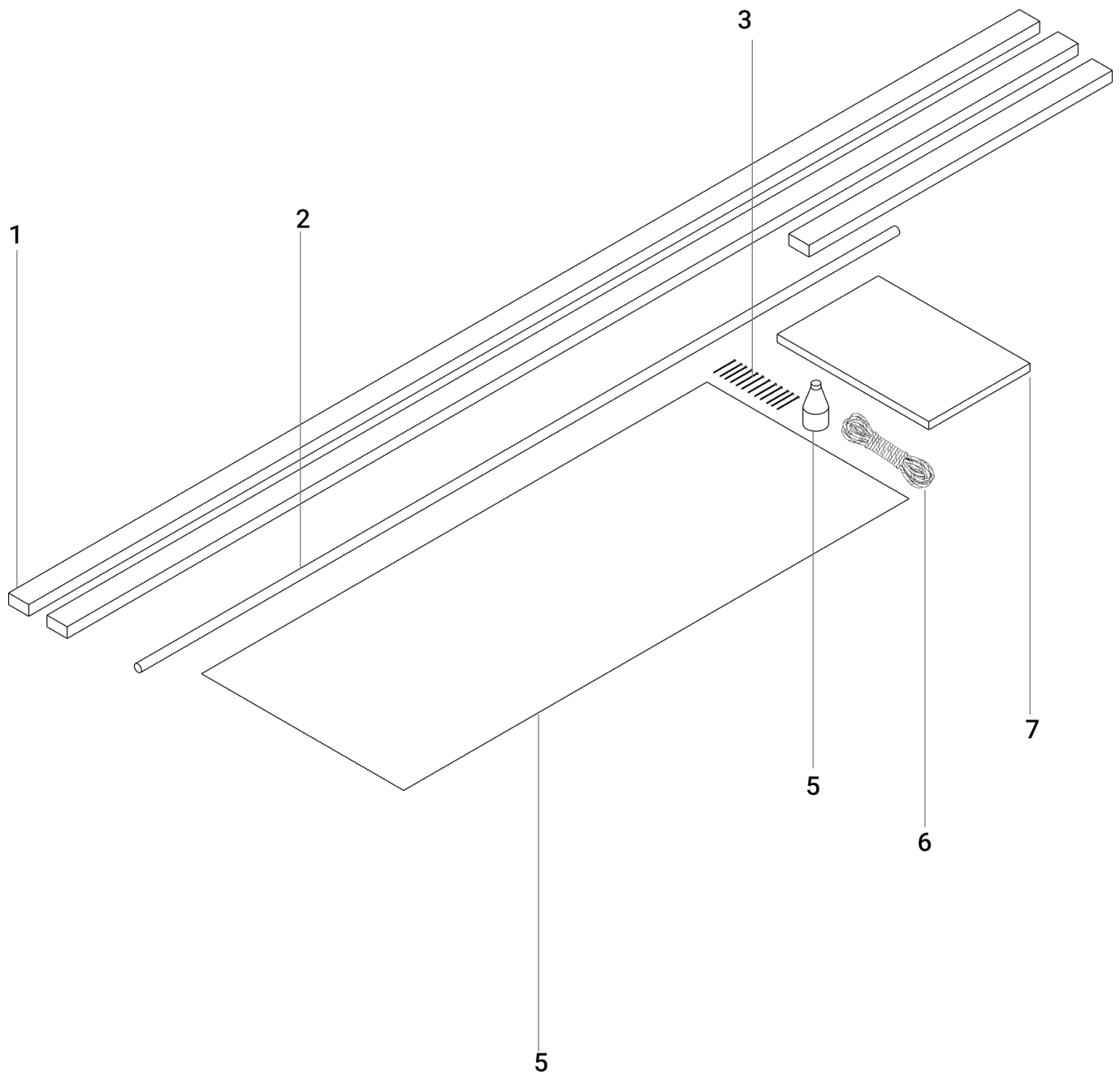
NOMAD SCHOOL



Done by Yanina Kyrinyuk,
Alexandra Sira and Mykola
Bykov.

MATERIALS

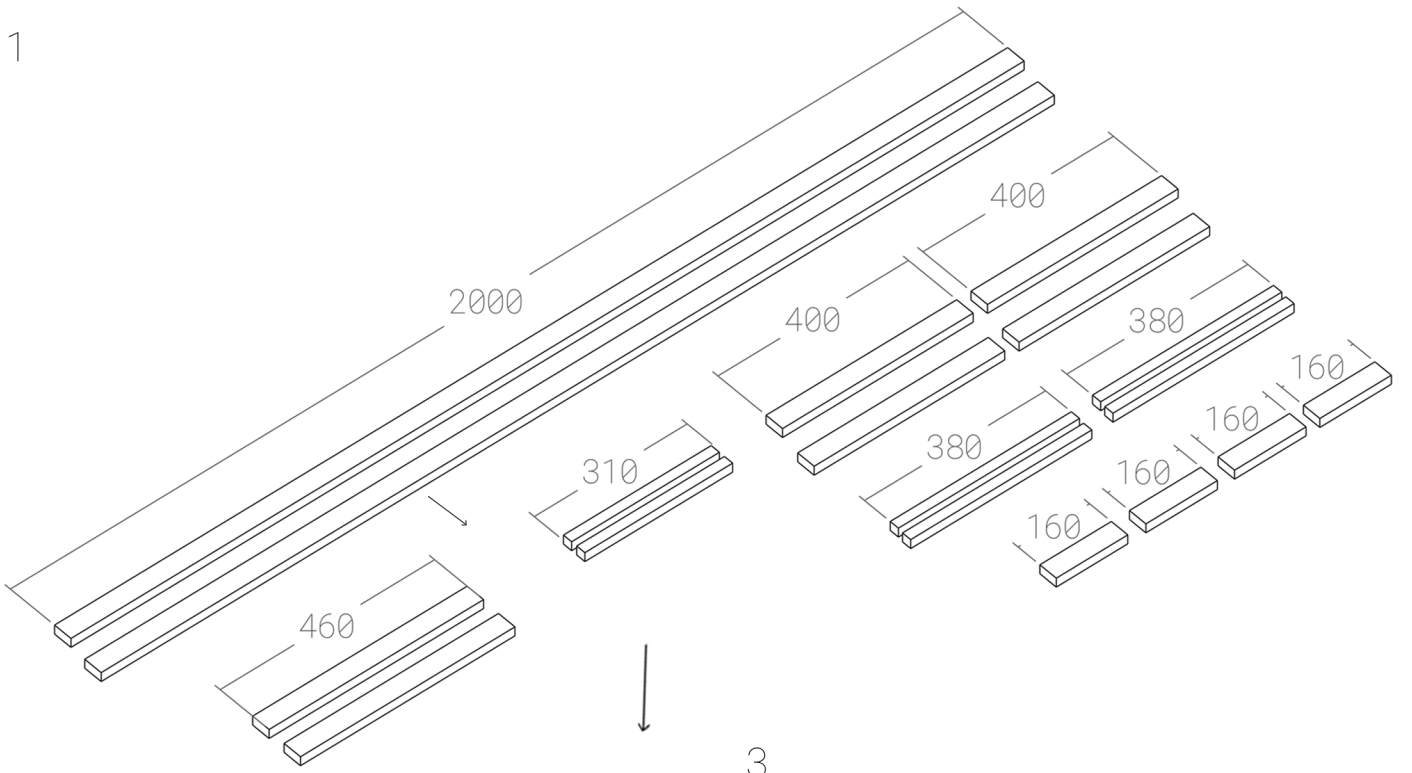
*All materials are listed for one workplace



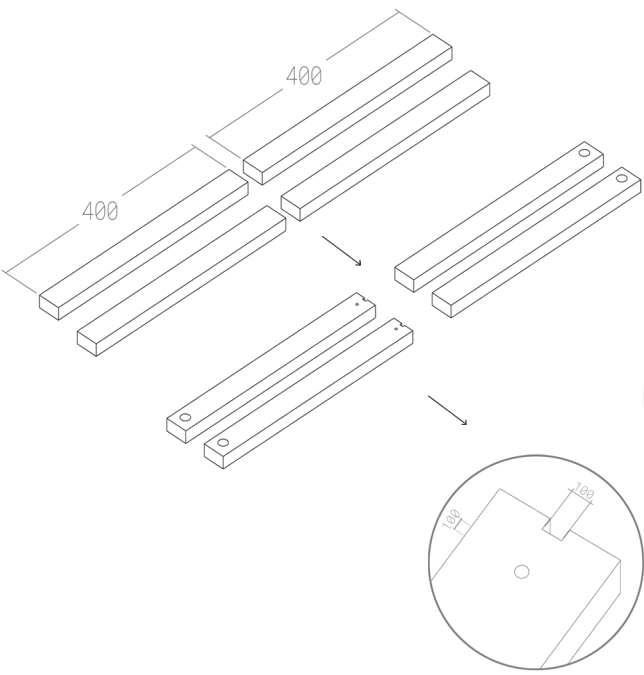
1	TIMBER BEAM	4230mm*40mm*20mm
2	ROUND TIMBER POLE	15mm*1500mm
3	SELF-TAPING SCREWS	12
4	CARPENTER`S GLUE	
5	FINE FABRIC	1520mm*40mm
6	ROPE	2000 mm
7	PLYWOOD	200mm*300mm*15mm

CONSTRUCTION

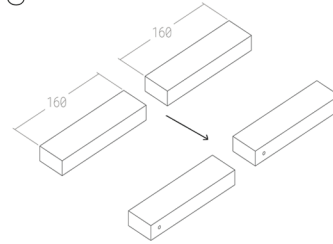
1



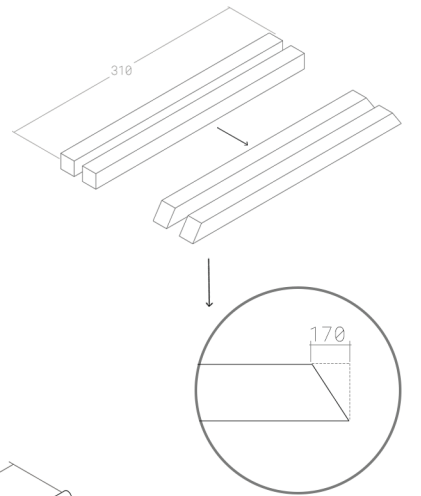
2



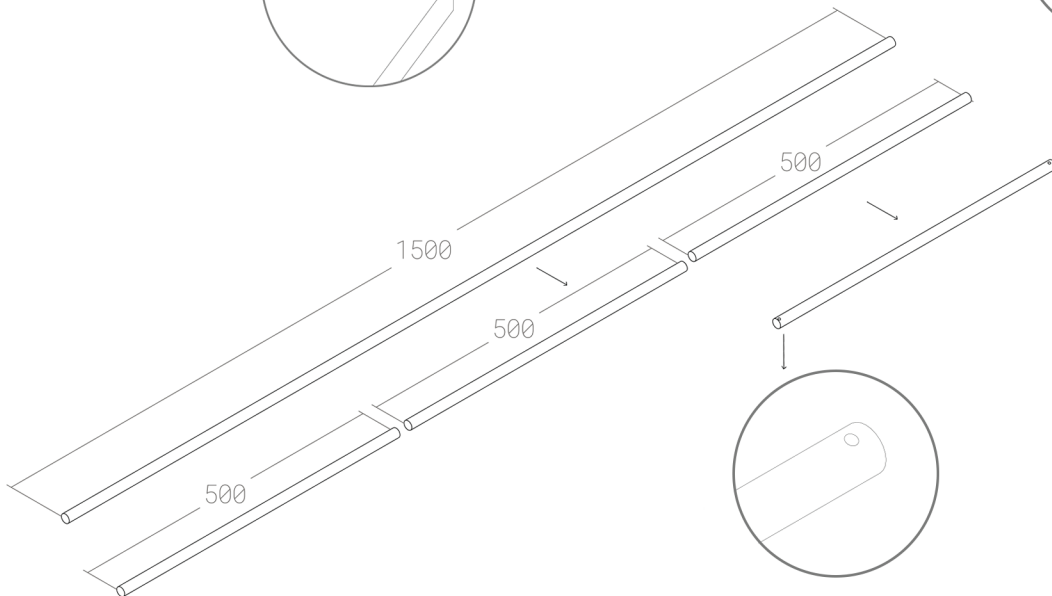
3



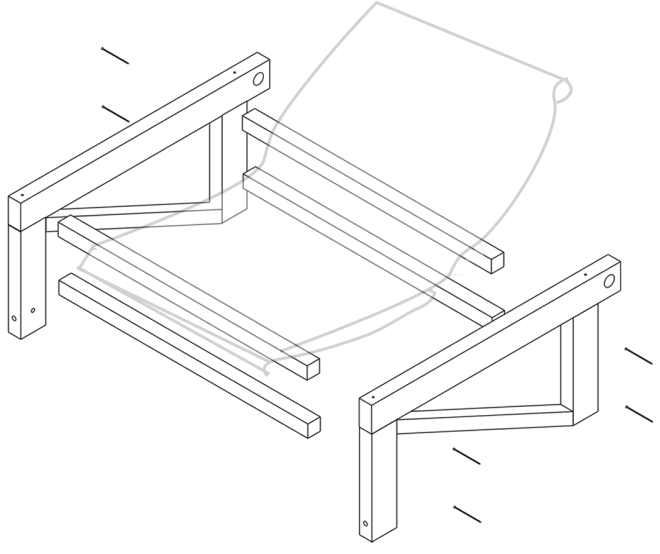
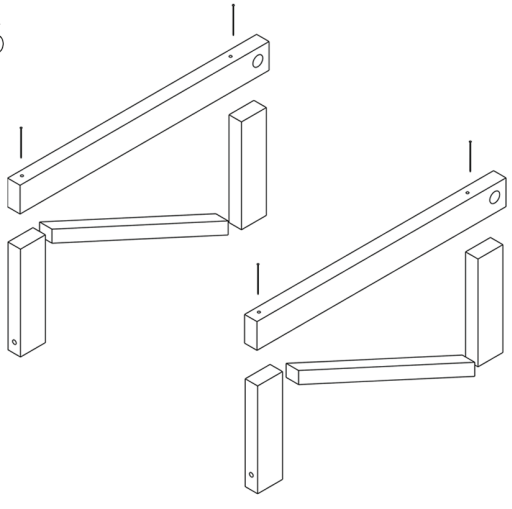
4



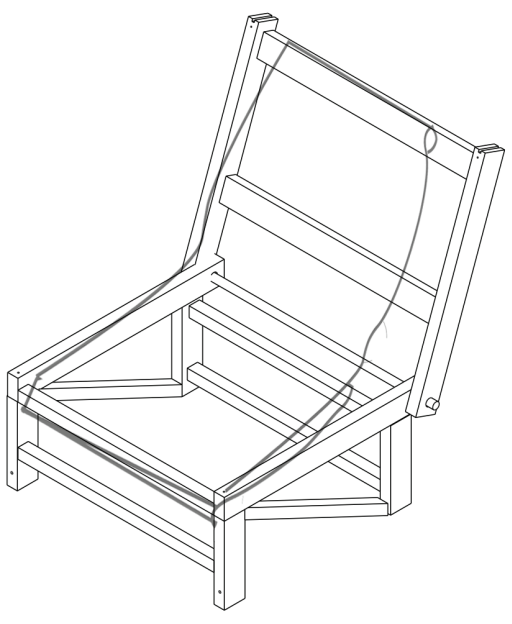
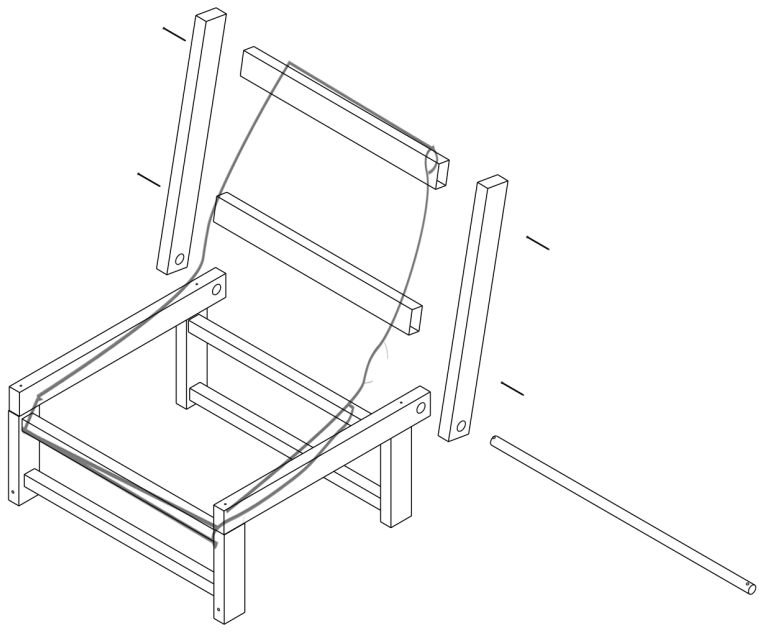
5

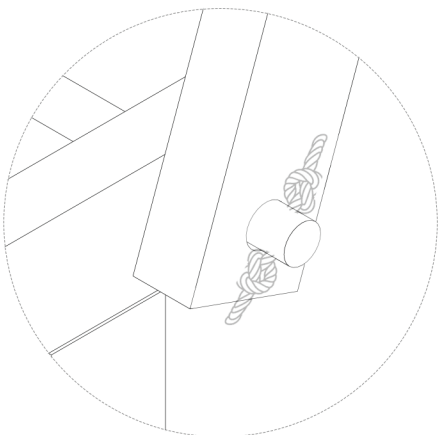
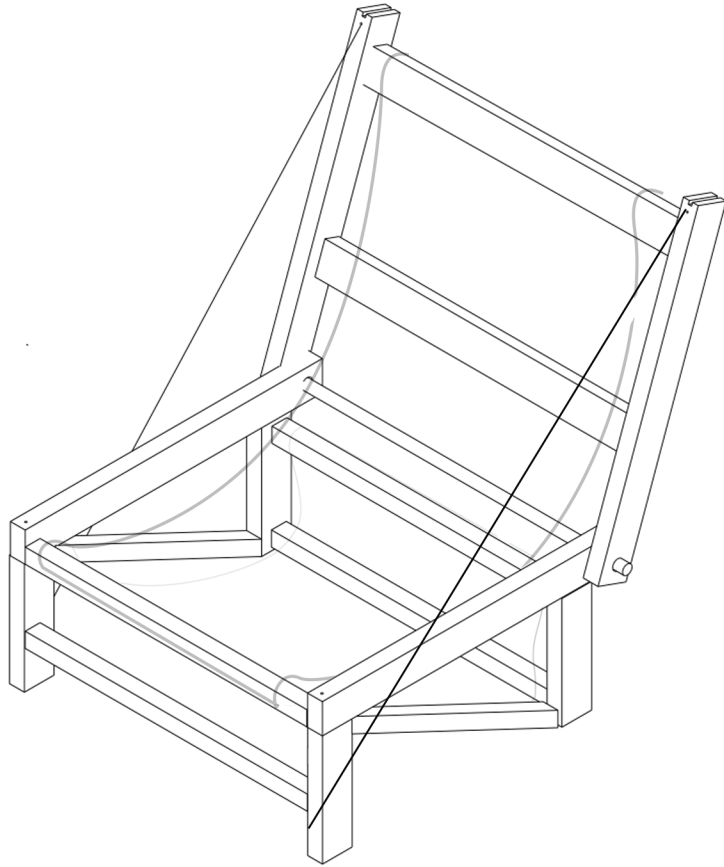
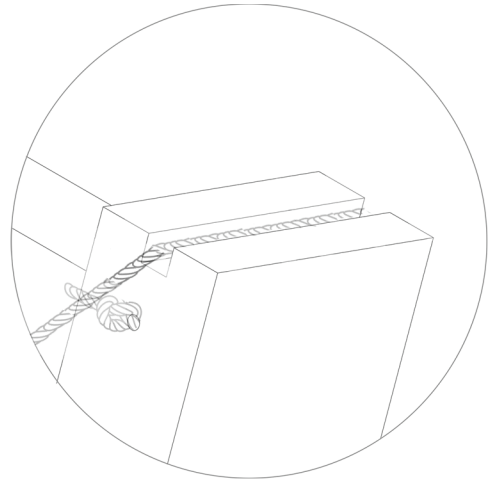


6



7





PATTERN FOR A SEAT

