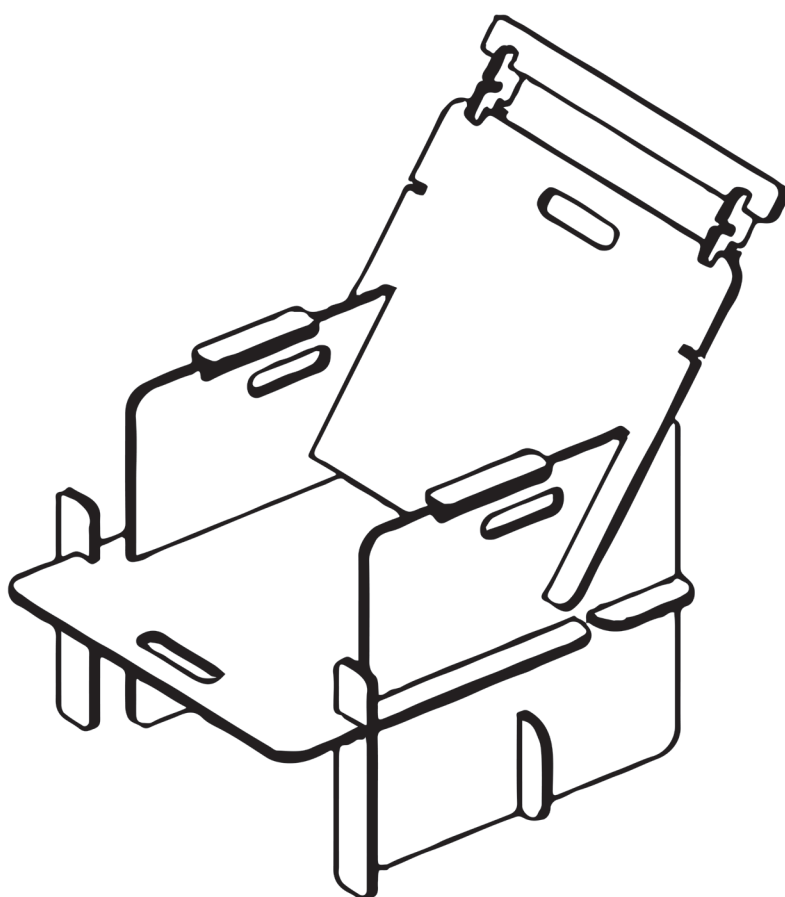
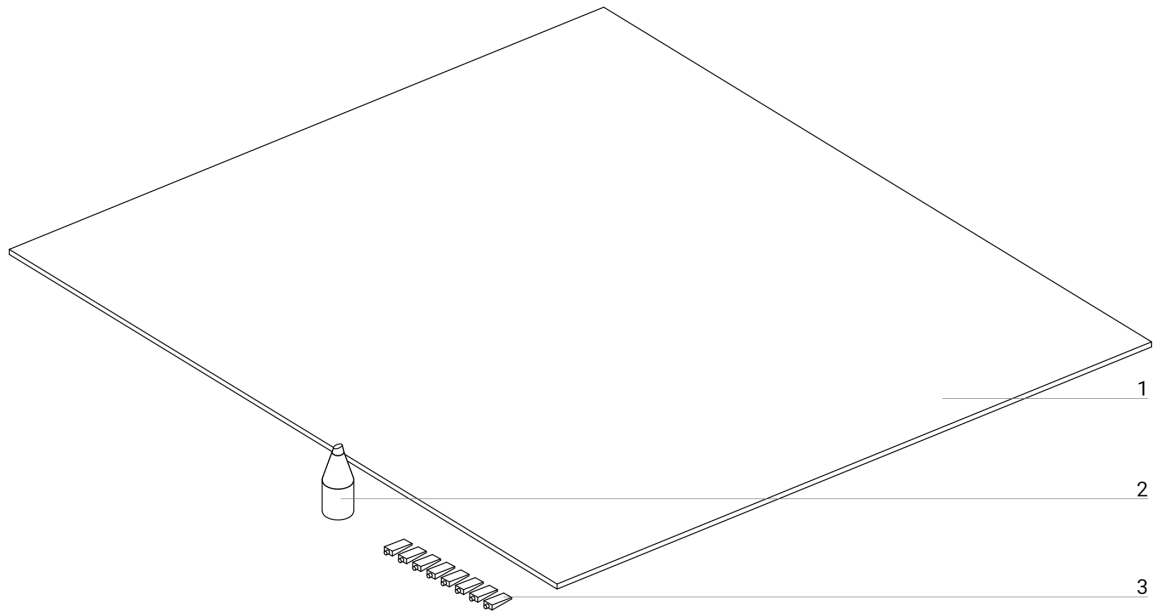


REST, RELAXATION



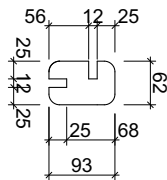
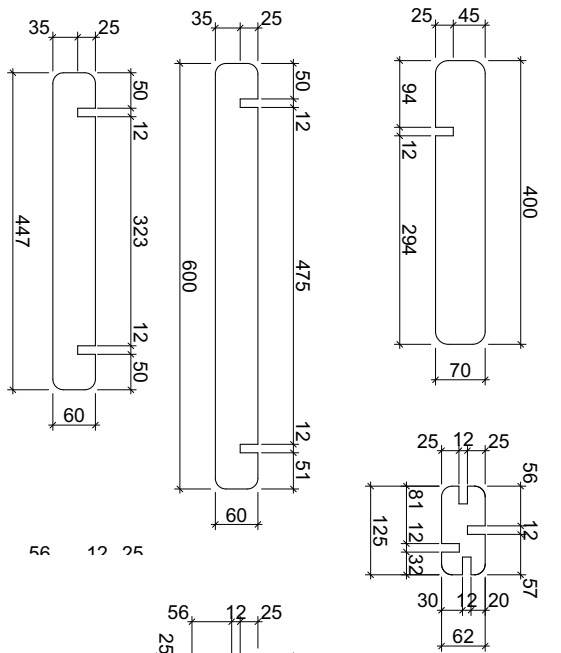
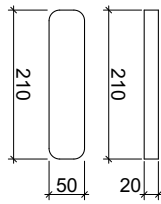
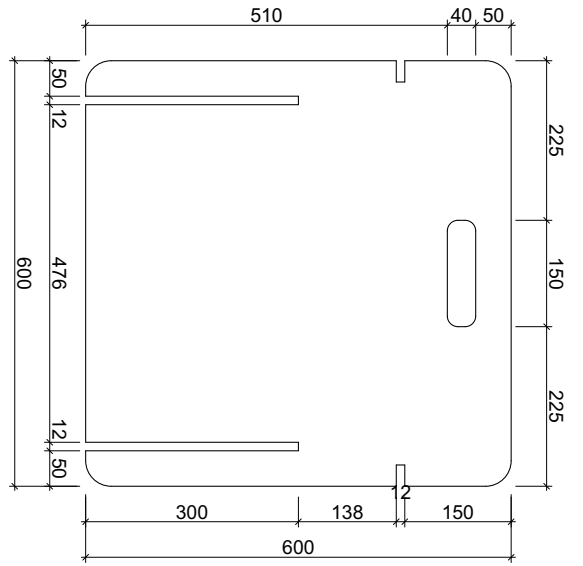
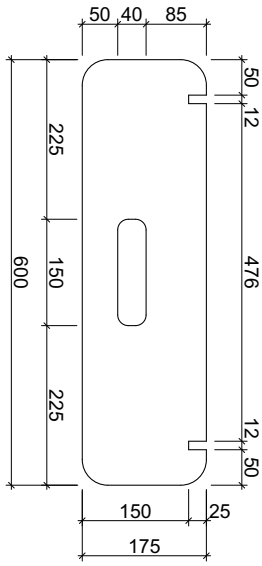
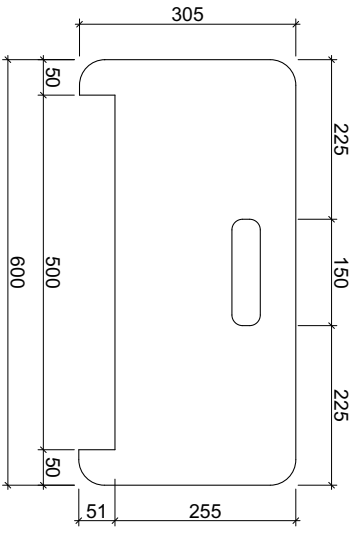
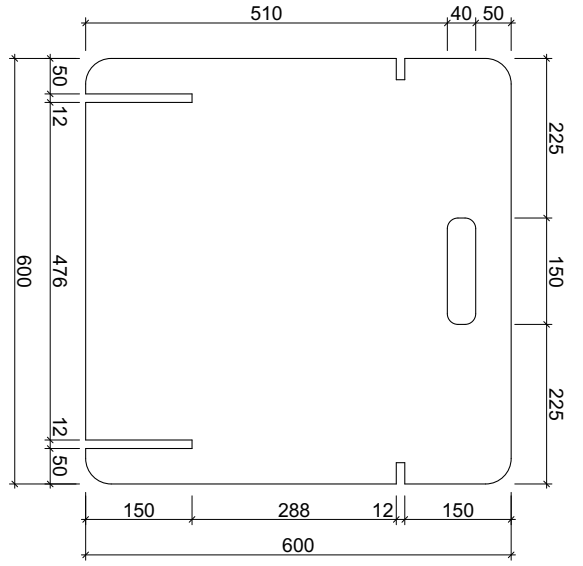
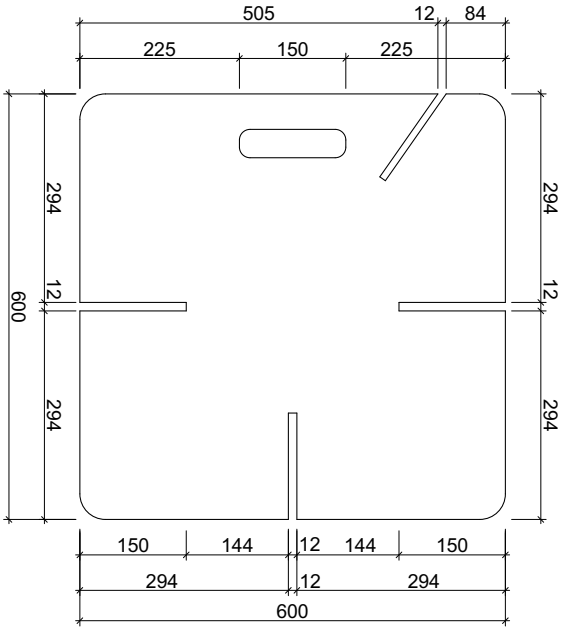
Anastasiia Irtiuha
Dmytro Mykhalov
Yegor Nikolenko

MATERIALS

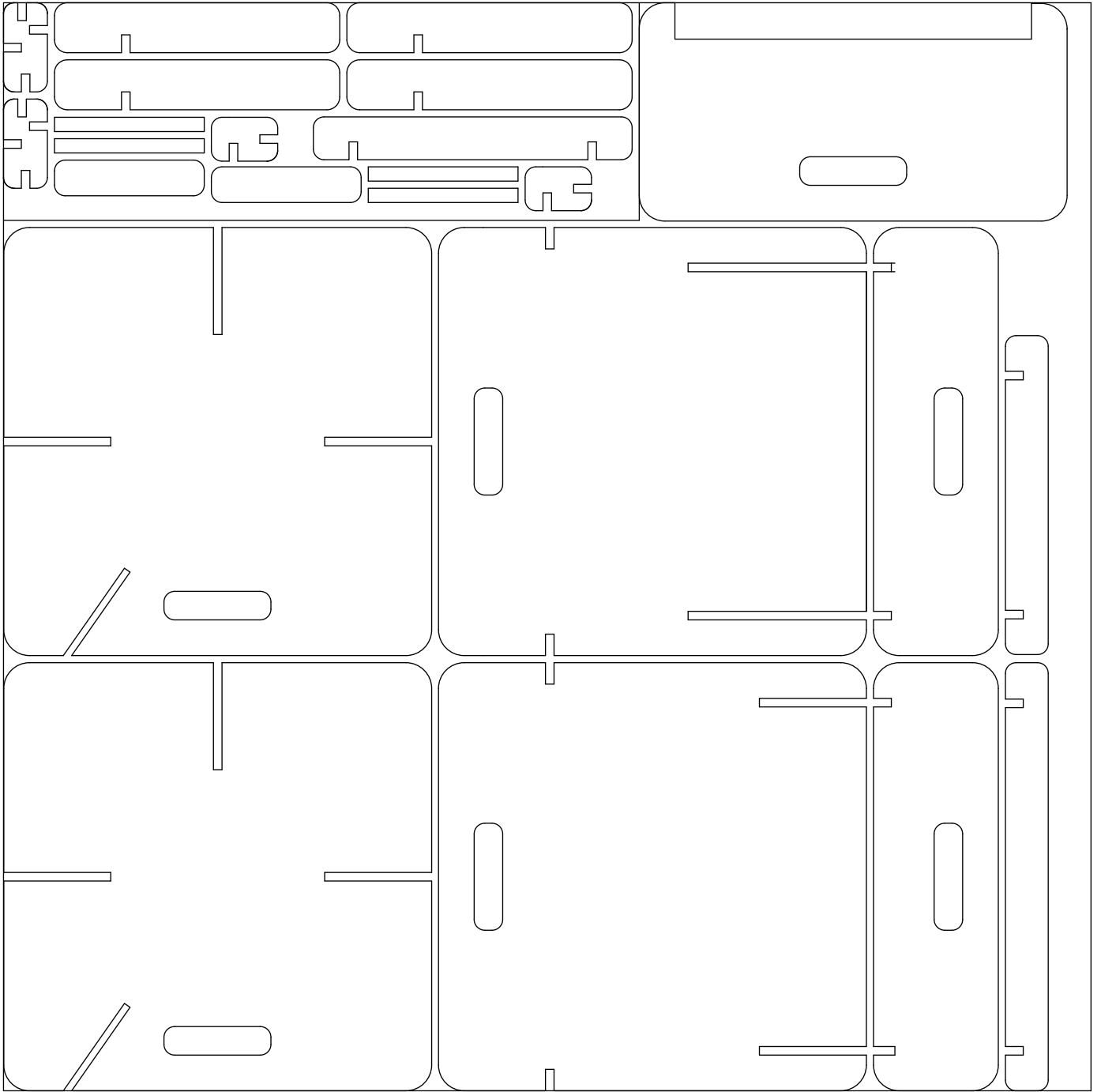


1	PLYWOOD	1525x15215x12 mm	1 pc
2	OIL FOR WOOD	0.50 l	1 pc
3	ACRYL PAINT	0.20 l	8 pc

TECHNICAL DRAWINGS

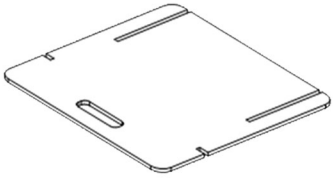


CUTTING MAP

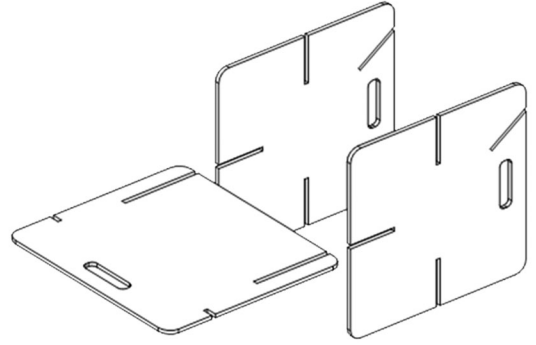


90°

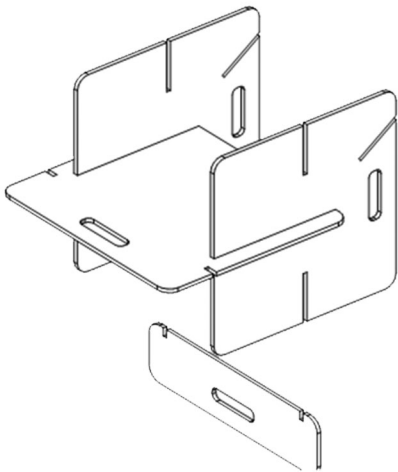
1



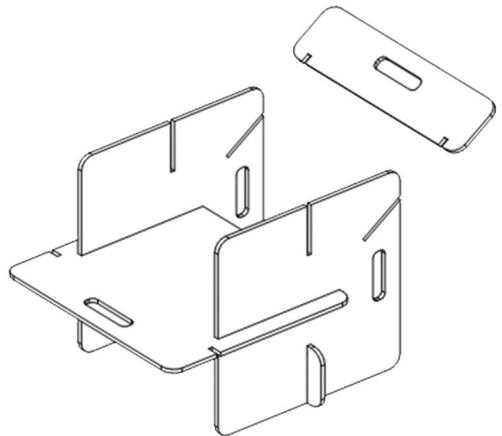
2



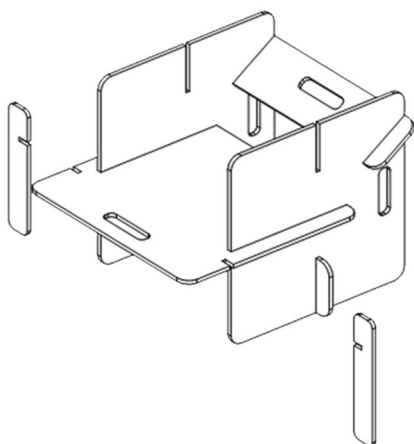
3



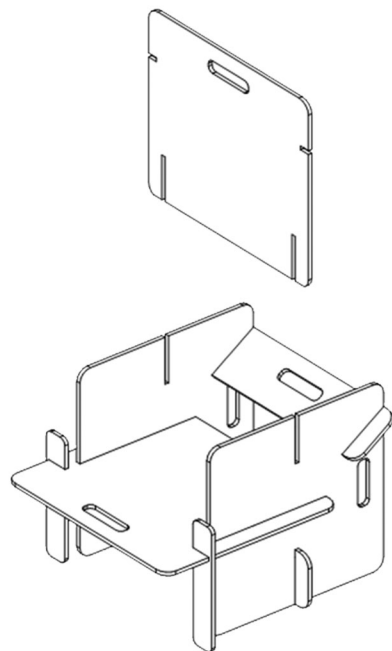
4



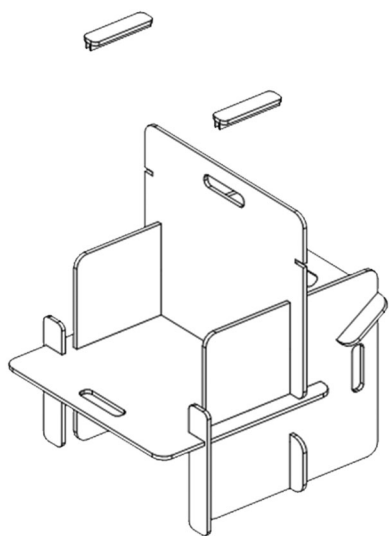
5



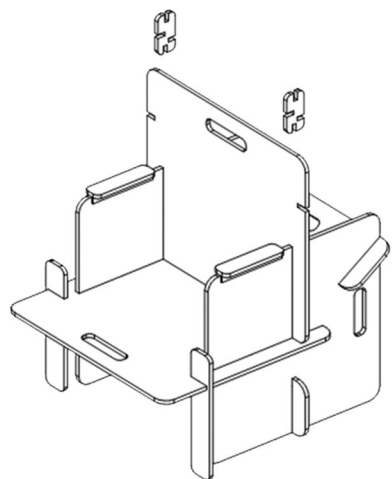
6



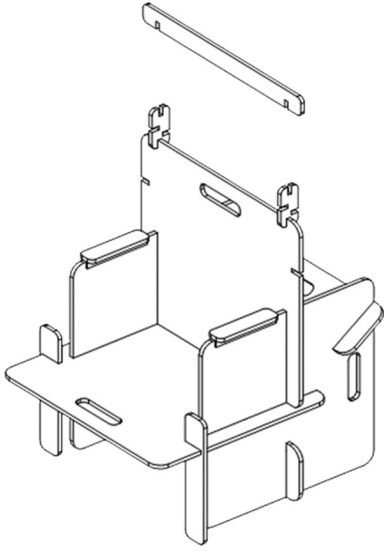
7



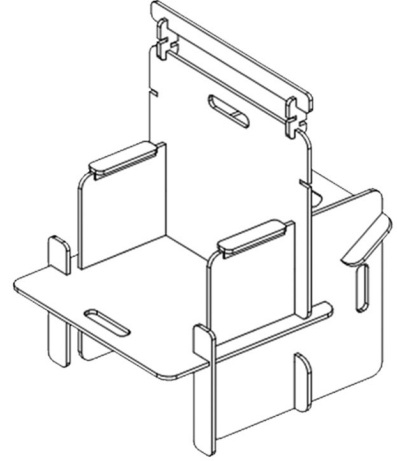
8



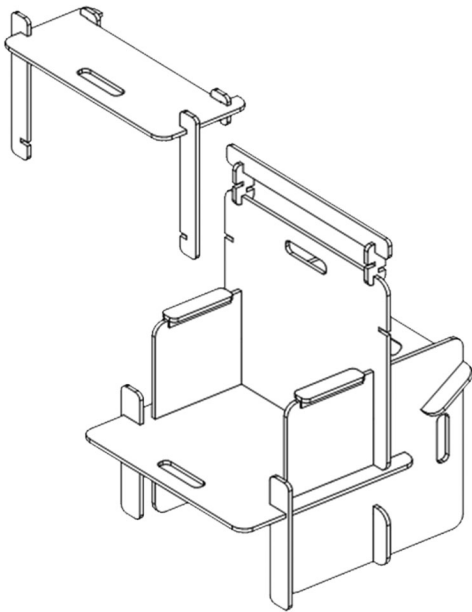
9



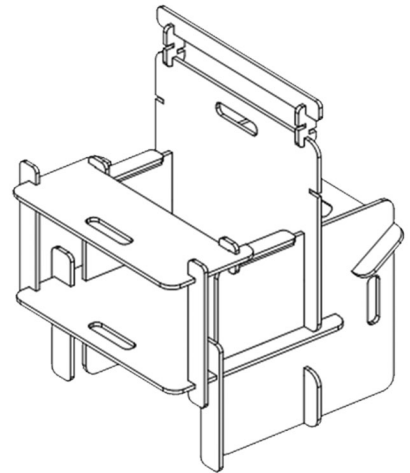
10



11

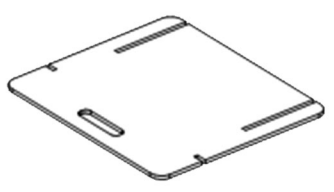


12

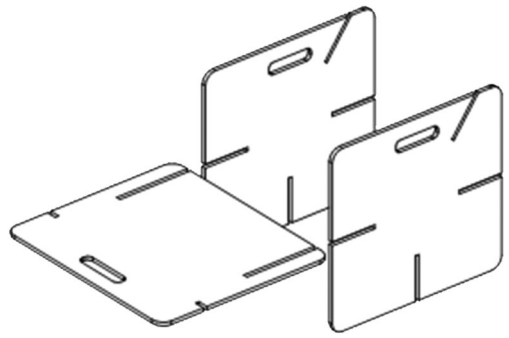


115°

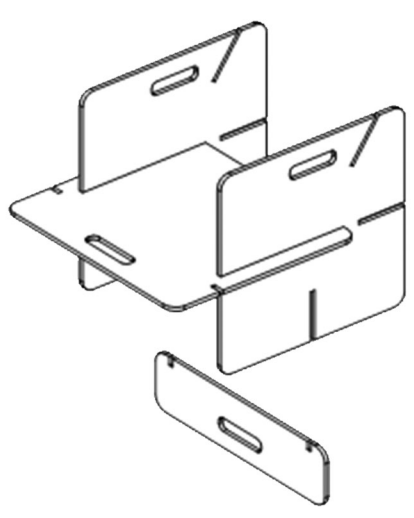
1



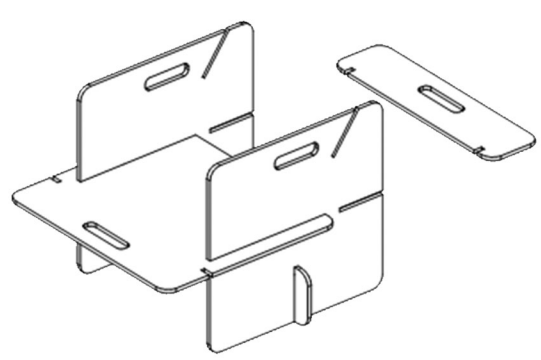
2



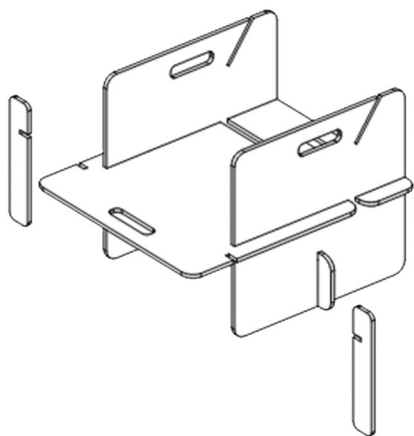
3



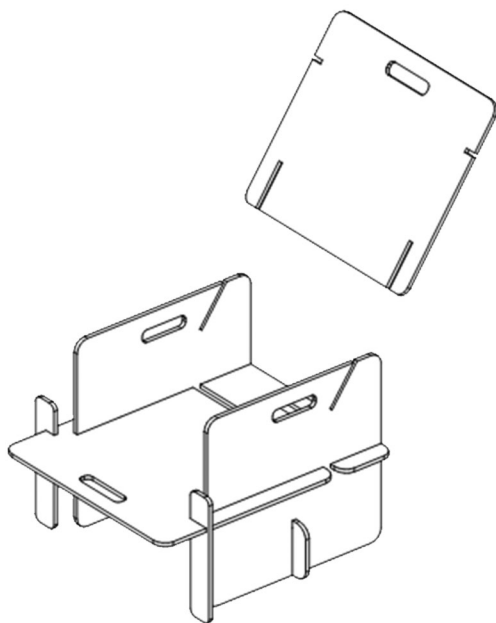
4



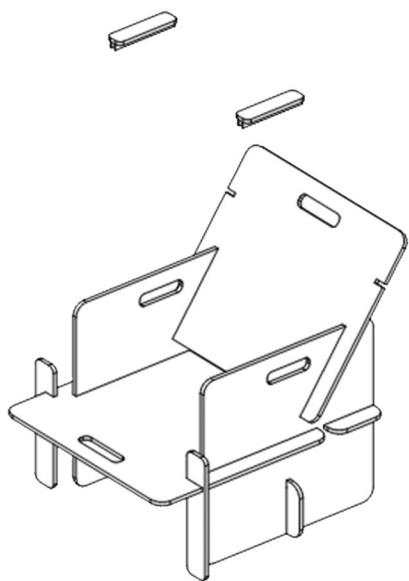
5



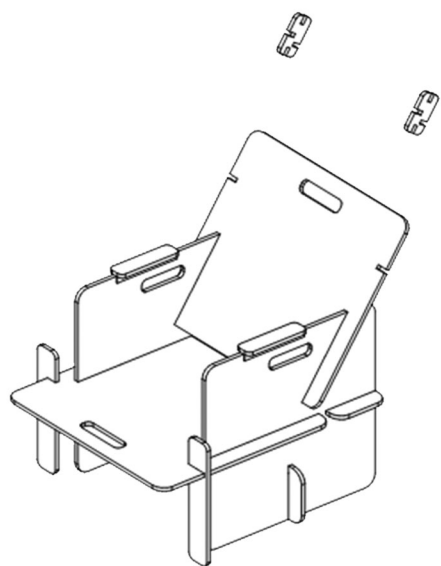
6



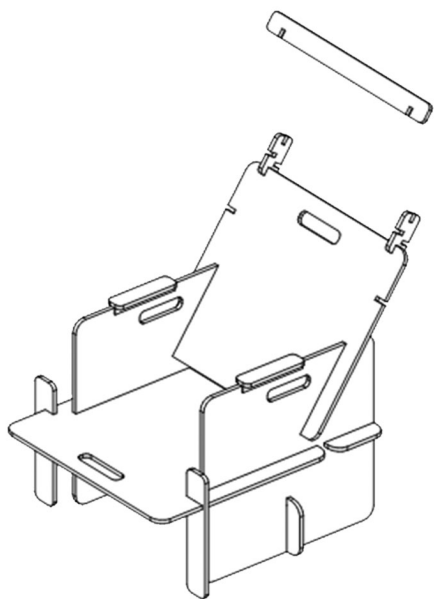
7



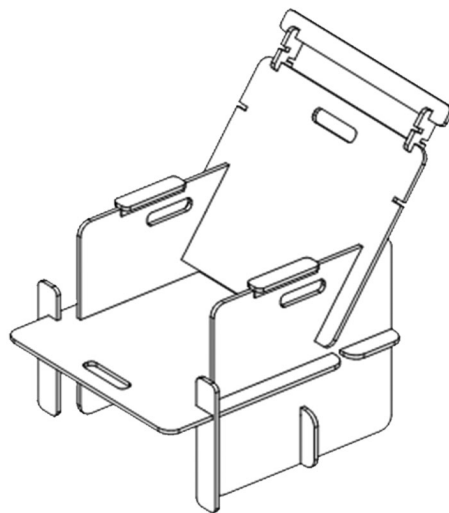
8



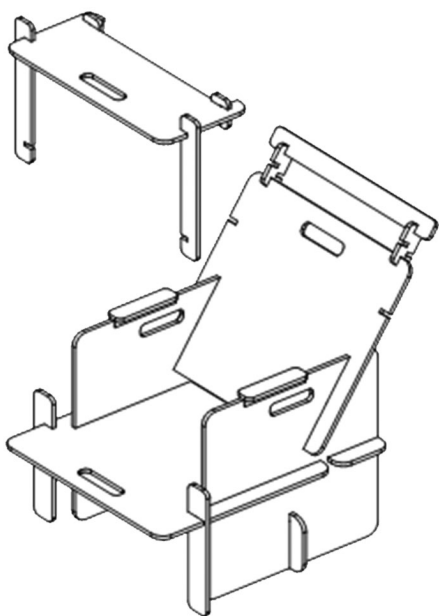
9



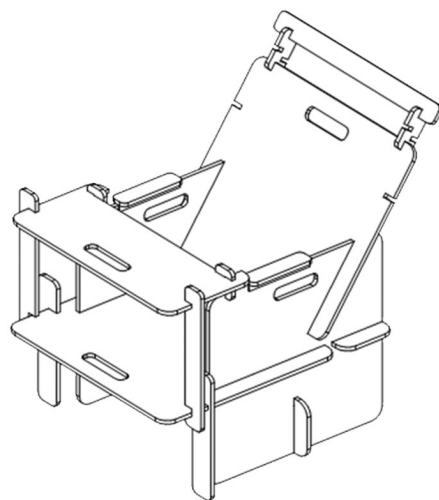
10



11

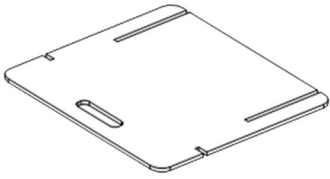


12

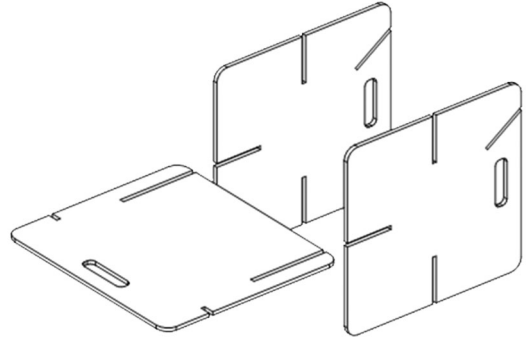


140°

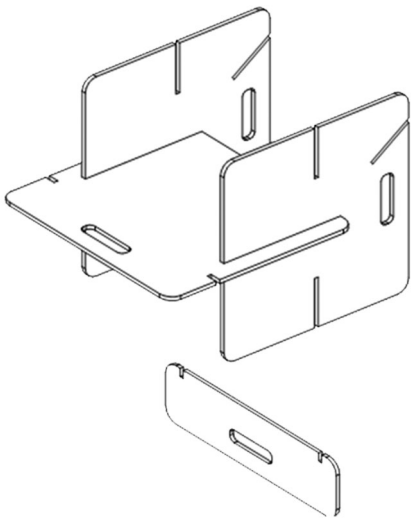
1



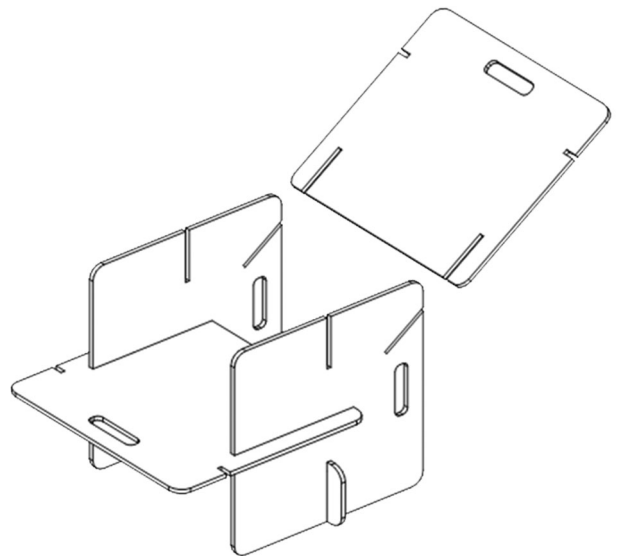
2



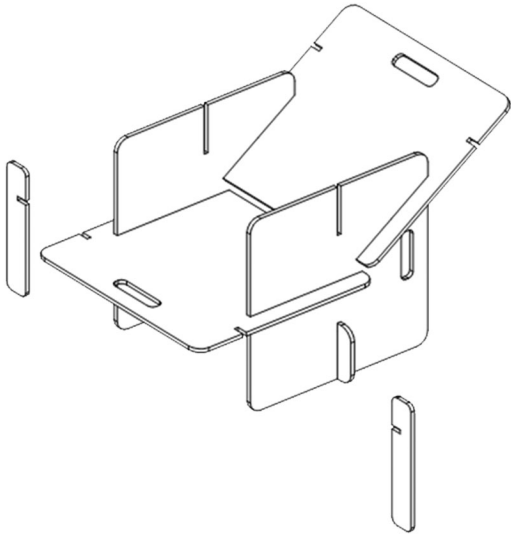
3



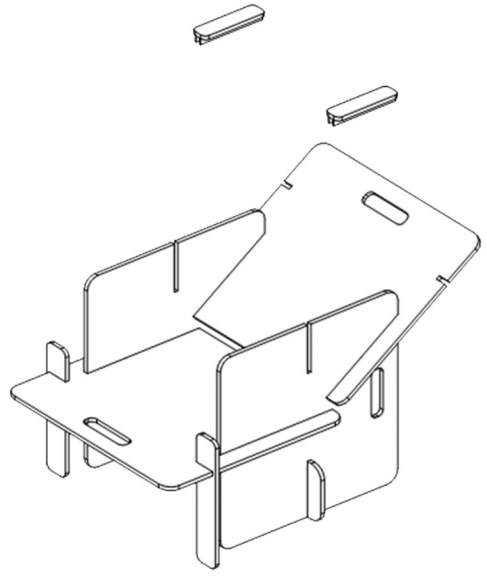
4



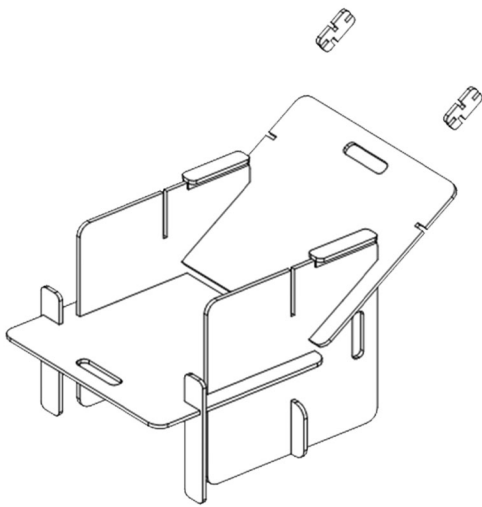
5



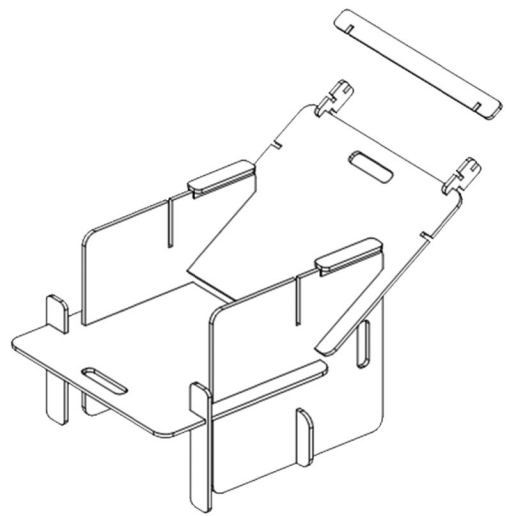
6



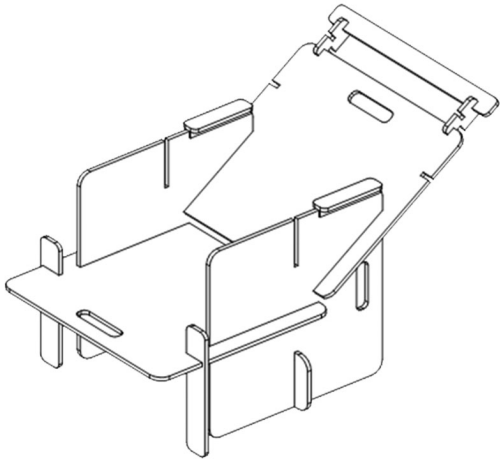
7



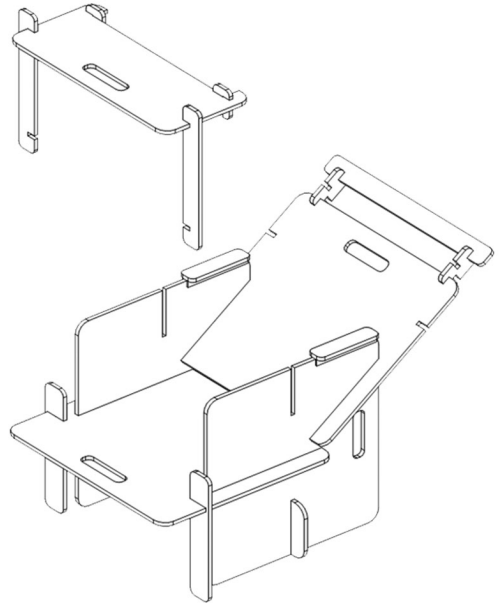
8



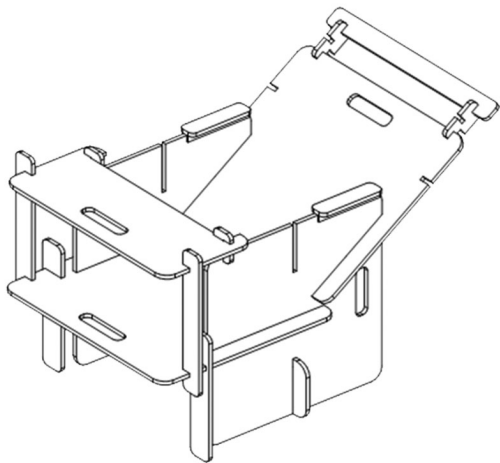
9



10

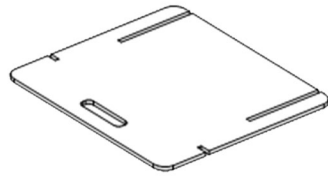


11

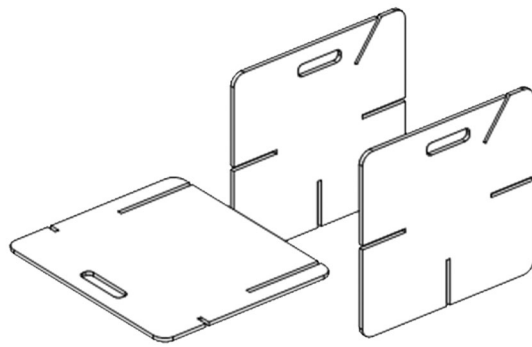


180°

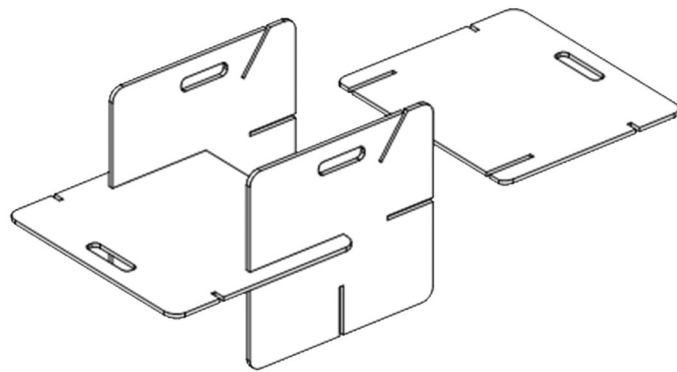
1



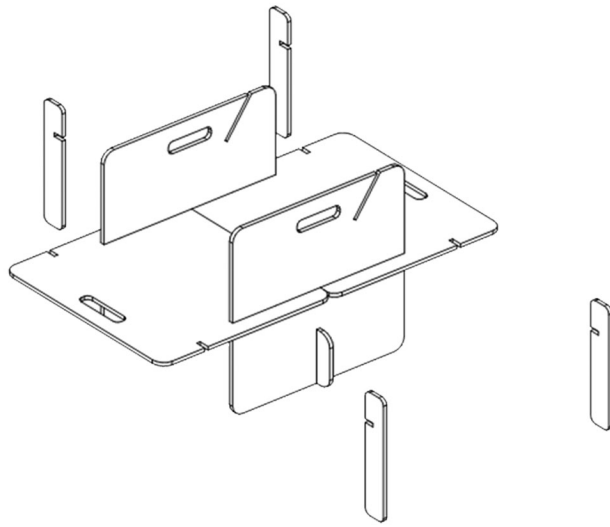
2



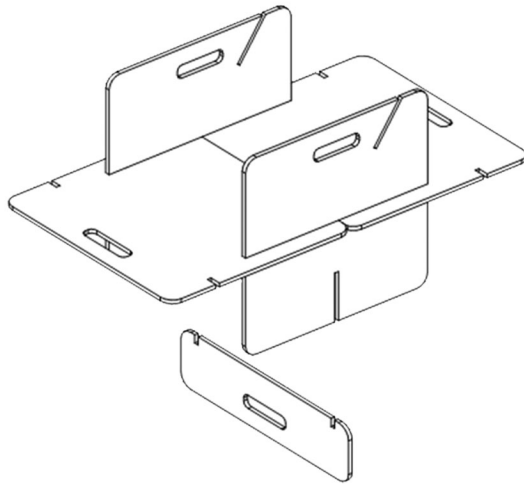
3



4



5



6

